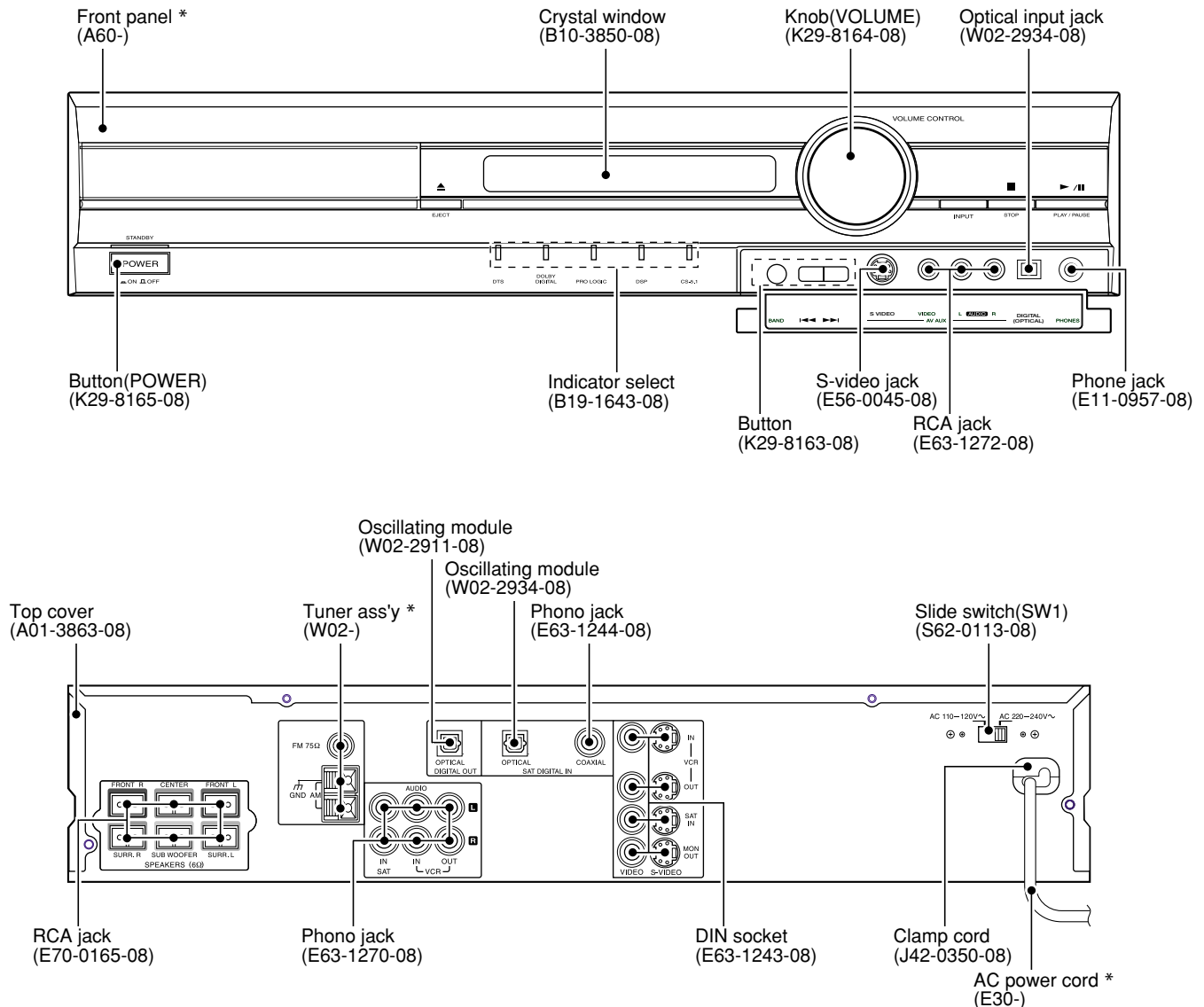


DVR-505/7000

SERVICE MANUAL

(DVT-505/7000)**

© 2001-12 PRINTED IN KOREA
B51-5779-00 (K/K) 3482



**** Refer to page2 if you want to know system configuration.**

In compliance with Federal Regulations, following are reproduction of labels on, or inside the product relating to laser product safety.

Caution : No connection of ground line if disassemble the unit. Please connect the ground line on rear panel, PCBs, Chassis and some others.

*** Refer to parts list on page 29 .**

KENWOOD-Corp. certifies this equipment conforms to DHHS Regulations No.21 CFR 1040. 10, Chapter 1, subchapter J.

DANGER : Laser radiation when open and interlock defeated. AVOID DIRECT EXPOSURE TO BEAM.




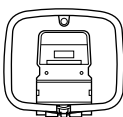
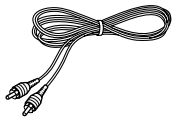
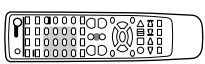

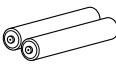
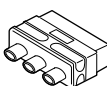
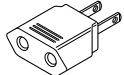
DVR-505/7000

CONTENTS / ACCESSORIES / CAUTIONS

Contents

CONTENTS / ACCESSORIES / CAUTIONS.....	2	SCHEMATIC DIAGRAM	16
BLOCK DIAGRAM	3	EXPLODED VIEW	28
CIRCUIT DESCRIPTION	4	PARTS LIST.....	29
WIRING DIAGRAM.....	9	SPECIFICATIONS	Back cover
PC BOARD	10		

Accessories

<p>FM indoor antenna (1) (T90-0882-08)</p> 	<p>Loop antenna (1) (T90-0896-08)</p> 	<p>Video cord (1) (E30-1427-05)</p> 	<p>Remote control unit (1) (A70-1580-08): KPXY (A70-1580-08): MM2M3 (A70-1581-08): TE</p> 
<p>Speaker cords (6) (E30-7265-08): Red (E30-7266-08): Blue (E30-7267-08): Brown (E30-7268-08): Blue (E30-7269-08): Gray (E30-7270-08): Orange</p> 	<p>Batteries (LR03/AAA) (2)</p> 	<p>SCART plug (1) (for U.K. only) (E69-0012-05)</p> 	
		<p>AC Plug Adaptor (1) (E03-0115-05)</p>  <p>Use to adapt the plug on the power cord to the shape of the wall outlet. (Accessory only for regions where use is necessary.)</p>	

Cautions

Operation to reset

The microcomputer may fall into malfunction (impossibility to operate, erroneous display, etc.) when the power cord is unplugged while power is ON or due to an external factor. In this case, execute the following procedure to reset the microcomputer and return it to normal condition.

Set the POWER switch to ON (set to Standby mode). Then press the ►► key, ◀◀ key and STOP key in this order.

- Please note that resetting the microcomputer clears the contents stored in and returns and to condition when it left the factory.

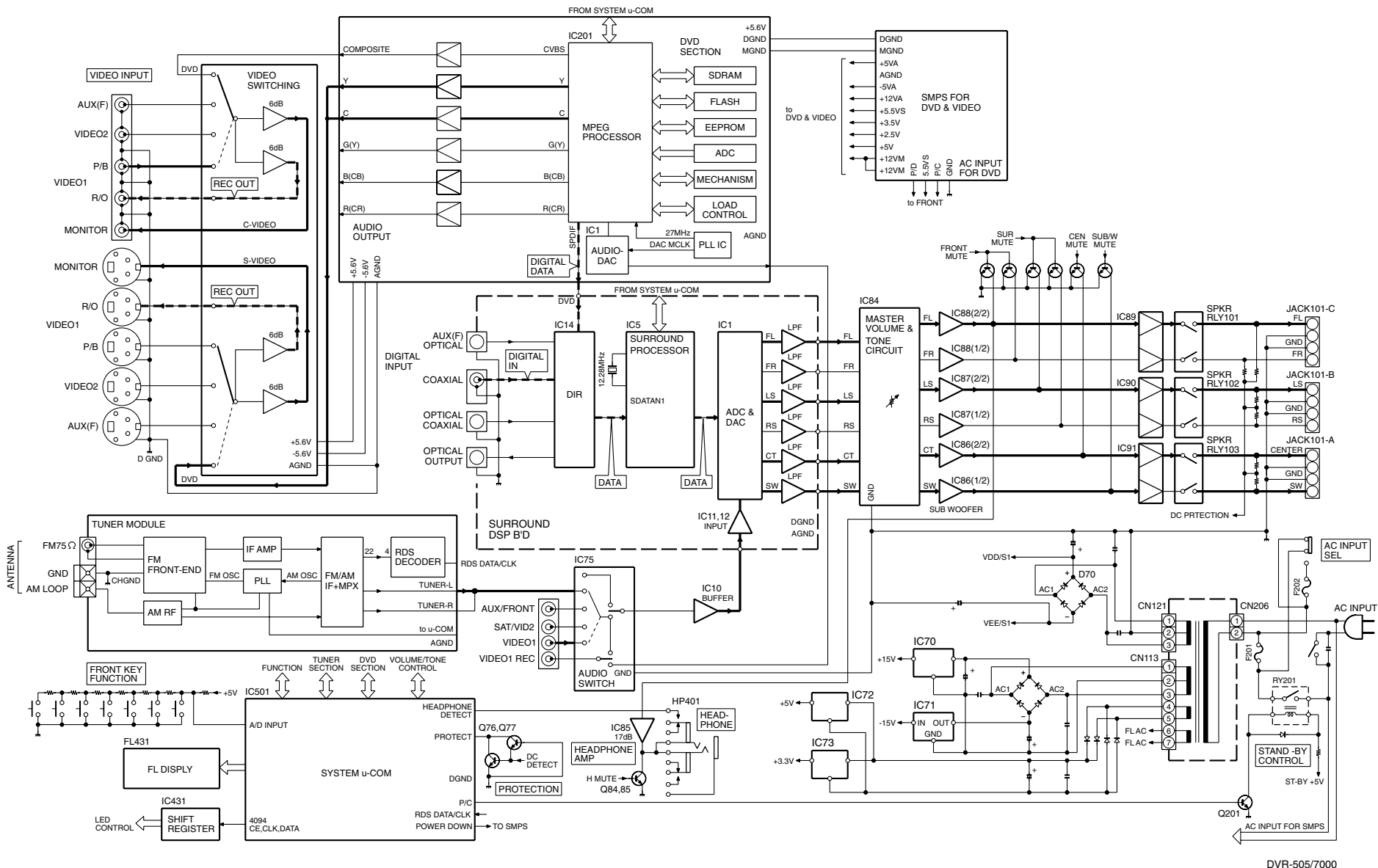
**The marking of products using lasers
(Except for some areas)**

**CLASS 1
LASER PRODUCT**

The marking this product has been classified as Class 1. It means that there is no danger of hazardous radiation outside the product.
Location: Back panel

System configuration

SYSTEM	MAIN UNIT	DESTINATION	SPEAKER
DVT-505	DVR-505	KP	KS-305DV SW-15DV
DVT-7000	DVR-7000	ETMXY	KSW-7000
DVT-7000(M2)	DVR-7000(M2)	M2	KSW-7000
DVT-7000(M3)	DVR-7000(M3)	M3	KSW-7000



DVR-505/7000

BLOCK DIAGRAM

DVR-505/7000

DVR-505/7000

CIRCUIT DESCRIPTION

1. Port Description of System Microcomputer : CXP828XX(IC501)

Port No.	Port Name	I/O	Description
1	GRID2	O	FIP GRID
2	GRID1	O	FIP GRID
3	NC	-	CONNECTED TO VDD
4	POWER DOWN	I	POWER DOWN CHECK
5	RDS CLK	I	RDS CLOCK
6	DVD RX	I	DVD UART INTERFACE (RX)
7	RDS OPTION	-	NC (CONNECTED TO GND)
8	RMC	I	REMOTE CONTROLLER SIGNAL
9	RDS DATA	I	RDS DATA
10	SM7346 CLK	O	VOLUME IC (IC84) CLOCK
11	SM7346 DATA	O	VOLUME IC (IC84) DATA
12	ENCODER UP	I	ENCODER (1) SIGNAL
13	ENCODER DW	I	ENCODER (2) SIGNAL
14	DVD TX	O	DVD UART INTERFACE (TX)
15	DVD RST	O	DVD RESET
16	DSP A. BOOST	O	DSP AUTO BOOT
17	H/P CHK	I	HEADPHONE CHECK
18	CS8415A-CE	O	DIR IC (IC14) CHIP ENABLE
19	EMPHASIS	O	CS4228 DAC IC EMPHASIS ON/OFF
20	TUNED	I	TUNED SIGNAL
21	DSP INTREQ	O	DSP INT REQUEST
22	4094CE	O	IC431 CHIP ENABLE
23	CS49326 CE	O	CS49326 DSP IC (IC5) CHIP ENABLE
24	CS4228 CE	O	CS4228 DAC IC (IC1) CHIP ENABLE
25	DSP CLK	O	CS49326 DSP IC (IC5) CLOCK
26	CS49326 DATA IN	I	CS49326 DSP IC (IC5) DATA
27	DSP DA OUT	O	CS49326 DSP IC (IC5) DATA
28	VREF	I	A/D REFERENCE (5V)
29	PROTECT	I	AMP PROTECTION IN
30	KEY IN	I	A/D KEY
31	EEPROM DATA	I/O	EEPROM (IC502) DATA
32	EEPROM CLK	O	EEPROM (IC502) CLOCK
33	8415 DA IN	I	CS8415 DIR IC (IC14) DATA
34	DVD OPTION	I	MODEL DISCRIMINATION
35	PLL DATA IN	I	PLL DATA
36	STEP OPTION	I	TUNER STEP OPTION
37	VSS	I	AVSS (ANALOG GND)
38	RST	I	RESET(LOW ACTIVE)
39	EXTAL	I	X-TAL IN(10MHz)
40	XTAL	O	X-TAL OUT(10MHz)
41	GND	-	VSS (DIGITAL GND)
42	NC	O	UNUSED
43	GND	-	GND
44	VDD	I	VDD (DIGITAL VDD)
45	VFDP	I	VFDP (FIP PULL DOWN POWER -30V)
46	STANDBY	O	STANDBY (POWER RELAY ON/OFF)
47	SPK RELAY	O	SPEAKER RELAY ON/OFF
48	SUB ON/OFF	O	SUB WOOFER GAIN CONTROL
49	CS8415 RST	O	CS8415 (IC14) RESET
50	PLL CE	O	PLL CHIP ENABLE
51	PLL CLK	O	PLL CLOCK
52	PLL D OUT	O	PLL DATA
53	A CLK	O	COMMON CLOCK(LC7821,BU4094)
54	A DATA	O	COMMON DATA(LC7821,BU4094)
55~59	VIDEO (SW1~SW5)	O	VIDEO SW (1~5)

CIRCUIT DESCRIPTION

Port No.	Port Name	I/O	Description
60	4228 RST	O	CS4228 (IC1) RESET
61	LC7821 CE	O	LC7821(TUNER PACK) CHIP ENABLE
62	SM7346 CE	O	SM7346 (IC84) CHIP ENABLE
63	T MUTE	O	TUNER MUTE
64	S MUTE	O	REAR SIGNAL MUTE
65	C MUTE	O	CENTER SIGNAL MUTE
66	F MUTE	O	FRONT SIGNAL MUTE
67	W MUTE	O	SUB WOOFER SIGNAL MUTE
68	CS49326 RST	O	CS49326 DSP IC (IC5) RESET
69~71	DSP (A15~A17)	O	DSP ROM ADDRESS (SEL 1~3)
72~88	SEG (1~17)	O	FIP SEGMENT
89	VDD	-	VDD (DIGITAL VDD)
90,91	SEG18,19	O	FIP SEGMENT
92-100	GRID (11~3)	O	FIP GRID

2. Port list sorted by function for MPEG Processor IC(Main IC201)

Port No.	Port Name	I/O	Main Function	Alternate function	
				Input	Output
Audio DAC					
51	DAC SCLK	O	Over sampling clock		EXT AUD CLOCK
52	DAC PCMOUT0	O	PCM out 0		EXD AUD DATA
53	DAC PCMOUT1	-	PCM out 1 (unused)	EXT AUD REQ	
54	DAC PCMOUT2	-	PCM out 2 (unused)		
55	DAC PCMCLK	I/O	PCM clock		
56	DAC LRCLK	O	Left/Right clock		EXT AUD WCLK
57	SPDIF OUT	O	SPDIF out		
48	VDD PCM	-	VDD(+3V3)		
49	VSS PCM	-	GND		
Clock & Reset					
124	RESET	I	Chip reset		
122	VDD PLL	-	VDD PLL		
123	VSS PLL	-	GND		
120	PIX CLK	I	27MHz main clock		
PIOs and communication					
186	PIO0(0) T STROBE	I/O	PIO0(0)	UART0 data	
187	PIO0(1) MOD SW	I/O	PIO0(1)		ATAPI RD
188~191	PIO0(2)~PIO0(5)	O	Unused		
192	PIO0(6) SLIDER SENSOR OPEN/CLOSE (DRAWER POSITION)	I/O	PIO0(6)		
193	PIO0(7) SLIDER IN (DRAWER CCW/CTRL)	I/O	PIO0(7)		
194	PIO1(0) SDA	I/O	PIO1(0)	SSC0 data (MTRSR out/MRST in)	
195	PIO1(1) SCL	I/O	PIO1(1)	SSC0 clock	
196	PIO1(2) SLIDER OUT (DRAWER CW CTRL)	I/O	PIO1(2)	PARA DVALID	
197	PIO1(3) TXD(JIG)	I/O	PIO1(3)		UART2 TXD
200	PIO1(4) RXD(JIG)	I/O	PIO1(4)	UART2 RXD	
201	PIO1(5) FRONT TXDI	I/O	PIO1(5)	PARA SYNC	UART1 RXD
202	TRIGGER IN	I/O	Trigger in for DCU		
203	TRIGGER OUT	I/O	Trigger out for DCU		
204	PIO2(0) H/P IND	-	Unused		
205	PIO2(1) FRONT RXD	I/O	PIO2(1)	PARA SYNC	
206	PIO2(2)	-	Unused		
207	PIO2(3)	-	Unused		
208	PIO2(4) AUDIO MUTE	I/O	Audio mute		

DVR-505/7000

CIRCUIT DESCRIPTION

Port No.	Port Name	I/O	Main Function	Alternate function	
				Input	Output
1	PIO2(5) RGB SEL(BLANK)	I/O	RGB sel.(blank) Unused		
2	PIO2(6) VIDEO MUTE	I/O	Video mute		
3	PIO2(7) 16: 9 INDICATOR	I/O	16 : 9 indicator(Unused)		
6	PIO3(0) SCART H(TV/AUX)	I/O	PIO3(0) Unused	PARA DATA(0)	
7	PIO3(1)	I/O	PIO3(1) Unused	PARA DATA(1)	
8	PIO3(2)	I/O	Unused	PARA DATA(2)	
9	PIO3(3)	I/O	Unused	PARA DATA(3) /CAPTURE IN0	
10	PIO3(4) IR REMOCON	I/O	Unused		
11	PIO3(5)	I/O	Unused	PARA DATA(5) /CAPTURE IN2	UART2 RTS(RTS2)
12	PIO3(6)	I/O	Unused	PARA DATA(6) /UART1 CTS(CTS1)	COMP OUT1
13	PIO3(7) DVD RESET	I/O	PIO3(7)	PARA DATA(7)/UART2 CTS(CTS2)	COPM OUT0
39	PIO4(0)HP MUTE	-	Unused		
40	PIO4(1)	-	Unused		
41	PIO4(2)	-	Unused		
42	PIO4(3) DAC RESET	-	Unused		
43	PIO4(4) PLL CS	-	Unused		
44	PIO4(5) DAC CLOCK	O	DAC clock		
45	PIO4(6) DAC DATA	O	DAC data		
46	PIO4(7) DAC CS	I/O	PIO4(0~7)		YC(0~7)
Reserved					
20	B WCLK	I/O	Unused		
21	B V4	I/O	Unused		
22	NRSS OUT	I/O	Unused		
103	ADC SCLK	I/O	Unused		
104	ADC LRCK	I/O	Unused		
105	ADC DATA	I/O	Unused		
106	ADC PCMCLK	O	Unused		
EMI Interface					
161~170	CPU ADR(1~10)	O	ADR(1~10)		
173~183	CPU ADR(11~21)	O	ADR(11~21)		
141~148	CPU DATA(0~7)	I/O	DATA(0~7)		
151~158	CPU DATA(8~15)	I/O	DATA(8~15)		
138	CPU RAS1	I/O	Unused		
131	CPU WAIT	I	Connected to GND		
130	CPU RW	O	Unused		
128	CPU BE(0)	O	BYTE 0 ENABLE		
129	CPU BE(1)	O	BYTE 1 ENABLE		
139	CPU CAS0	O	Unused		
140	CPU CAS1	O	Unused		
135	CPU CE(0)	O	Unused		
134	CPU CE(1)	O	Unused		
133	CPU CE(2)	O	Chip Sel. BANK2		
132	CPU CE(3)	O	Chip Sel. BANK3		
118	CPU PRO CLK	O	SDRAM clock		
117	CPU OE	I/O	Output enable		
Interrupt					
127	IRQ(0)	I	Unused		
126	IRQ(1)	I	Unused		
125	IRQ(2)	I	IRQ(2) (MD IRQ)		
Timers					
116	PWM0	I/O	Unused	HSYNC	

DVR-505/7000

CIRCUIT DESCRIPTION

Port No.	Port Name	I/O	Main Function	Alternate function	
				Input	Output
115	PWM1	I/O	Pulse width modula o	Boot from ROM3	
114	PWM2	I/O	Unused	VSYNC	
JTAG					
113	TCK	I	Test clock		
112	TDI	I	Test data in		
111	TDO	O	Test data out		
110	TMS	I	Test mode select		
109	TRST	I	Test reset		
Front-end					
16	B DATA	I	12S data	SER Data	
17	B BCLK	I	12S bit clock	SER BCLK	
18	B FLAG	I	12S error flag DVD	SER VALID	
19	B SYNC	I	12S selector/ABS time	SER SYNC	
Video DAC					
27,26,25	R/G/B (OUT)	O	R/G/B output		
32~34	Y/C/CV (OUT)	O	Y/C/CV output		
29	I REF RG	I	I REF DAC RGB		
28	V REF RG	I	V REF DAC RGB		
36	I REF YC	I	I REF DAC YC		
35	V REF YC	I	Y REF DAC YC		
23	VDD RGB	-	YDDA RGB =2.5V		
24	VSS RGB	-	GND		
30	VDD YCC	-	YDDA YCC =2.5V		
31	VSS YCC	-	GND		
Shared memory interface					
69~66	SMI ADR(0~3)	O	Address bus SDRAM		
58~63	SMI ADR(4~9)	O	Address bus SDRAM		
70~73	SMI ADR(10~13)	O	Address bus SDRAM		
84~93 97~102	SMI DATA(0~15)	I/O	Data bus SDRAM		
74,75	SMI CS(0,1)	O	Chip select bank 0,1		
76	SMI RAS	O	RAS SDRAM		
77	SMI CAS	O	CAS SDRAM		
78	SMI WE	O	SDRAM write enable		
79,80	SMI (DQML, DQMU)	O	DQ MASK EN LOW, UP		
82	SMI CLKIN	I	SDRAM clock in		
95	SMI CLKOUT	O	SDRAM clock out		
Power supply					
4,47,81,107 136,159,184	VDD3 3	-	3.3V Power supply		
14,37,64,94 119,149,171 198	VDD2 5	-	2.5V Power supply		
5,15,38,50,65 83,96,108,121 137,150,160 172,185,199	VSS	-	GND		

DVR-505/7000

CIRCUIT DESCRIPTION

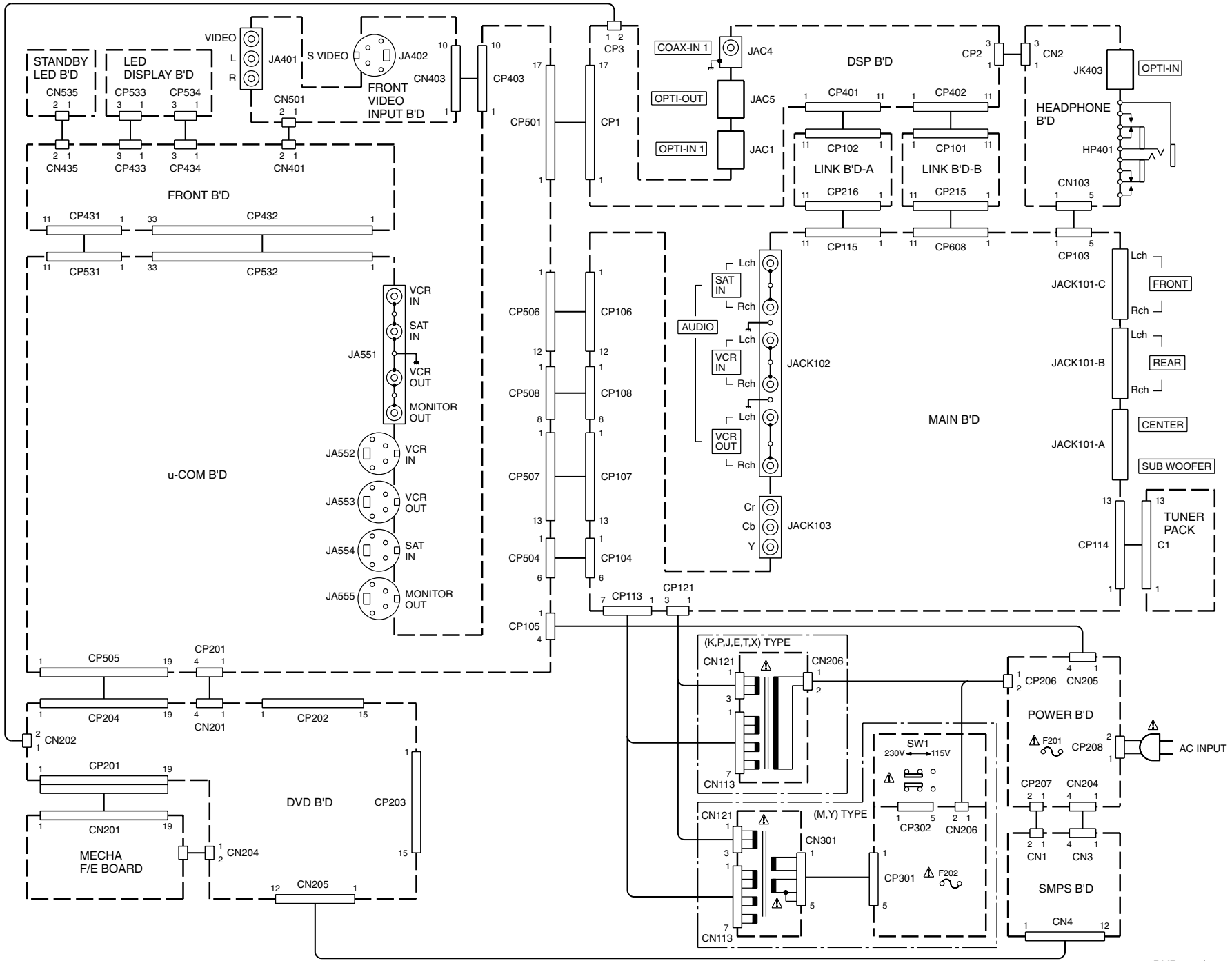
3. Port Description of IC

Video Driver : MM1540AF (IC601)

Port No.	Port Name	I/O	Function
1,2	VCC1,2	-	VCC
2,6,9	VIN,VIN (1,2)	I	Video input (Composite or Y)
3	YC MIX	-	YC MIX select (Unused)
4	CIN	I	Croma input (Open)
5	CLP	-	Clamp select (Connected to GND)
7,8	MUTE (1,2)	O	Mute select (Unused)
10	GND	-	GND
11,13	CbIN, CrIN	I	Component input
12	Dual/Single	-	Power select (+5V)
14,15,19, 21,22,24	VEE1, VEE2	-	VEE (-5V)
16,18,20, 23,25,27	CrOUT, CbOUT, YOUT2,YOUT1, COUT,VOUT	O	Video output
23,25,27	YOUT1, COUT,VOUT	O	Video output (Open)
17,26	PS2,PS1	-	Power save (Connected to GND)

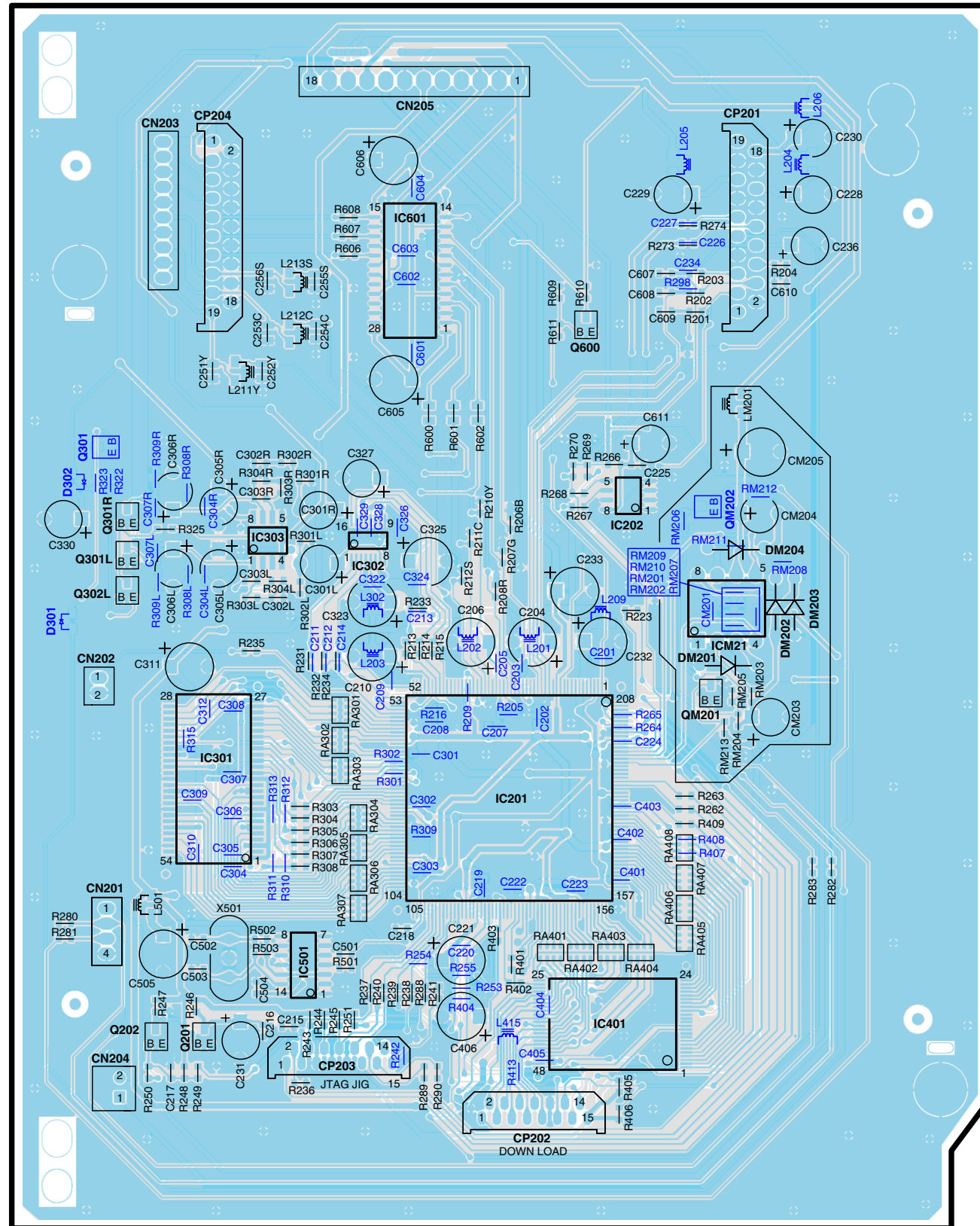
WIRING DIAGRAM

DVR-505/7000

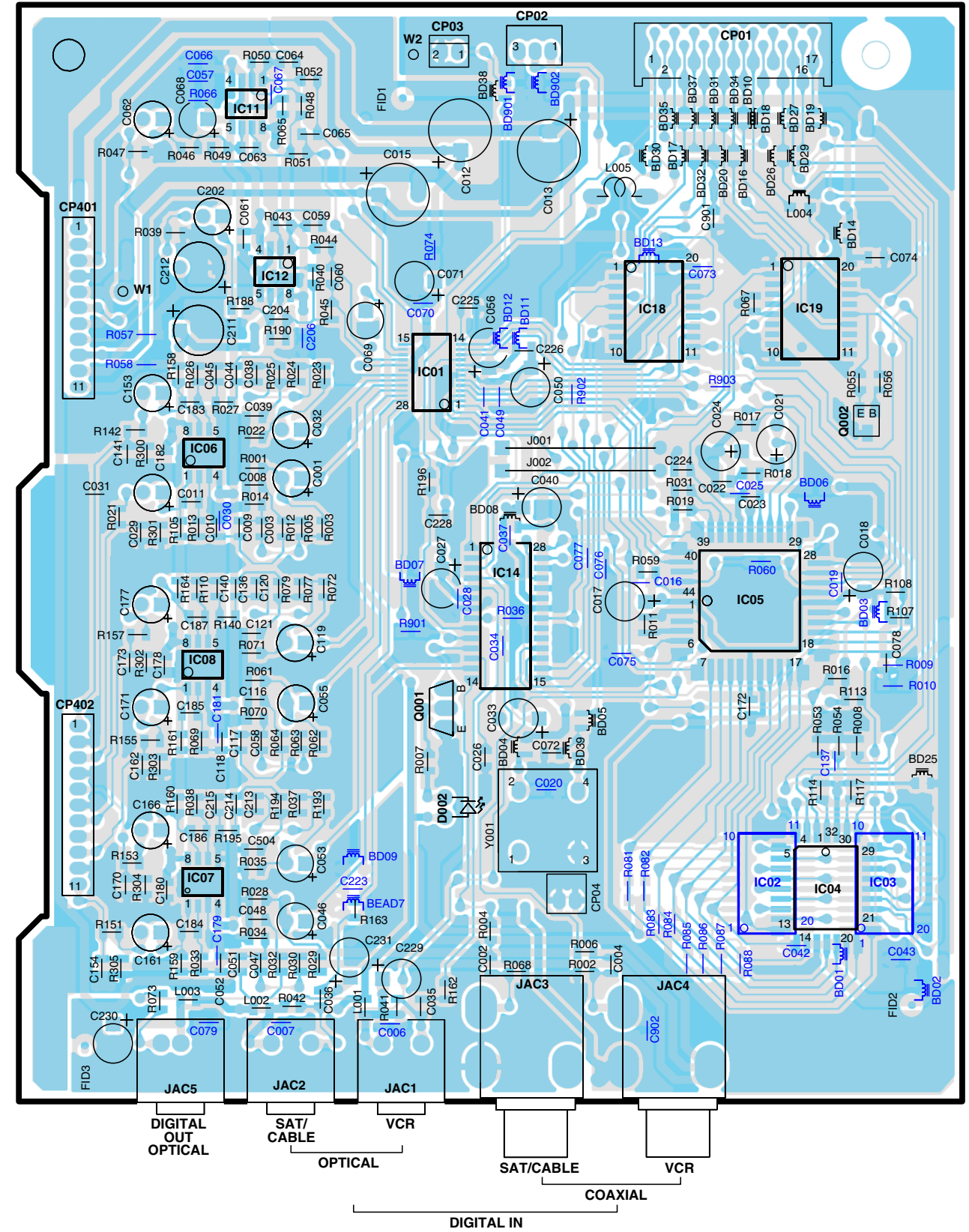


PC BOARD (Component side view)

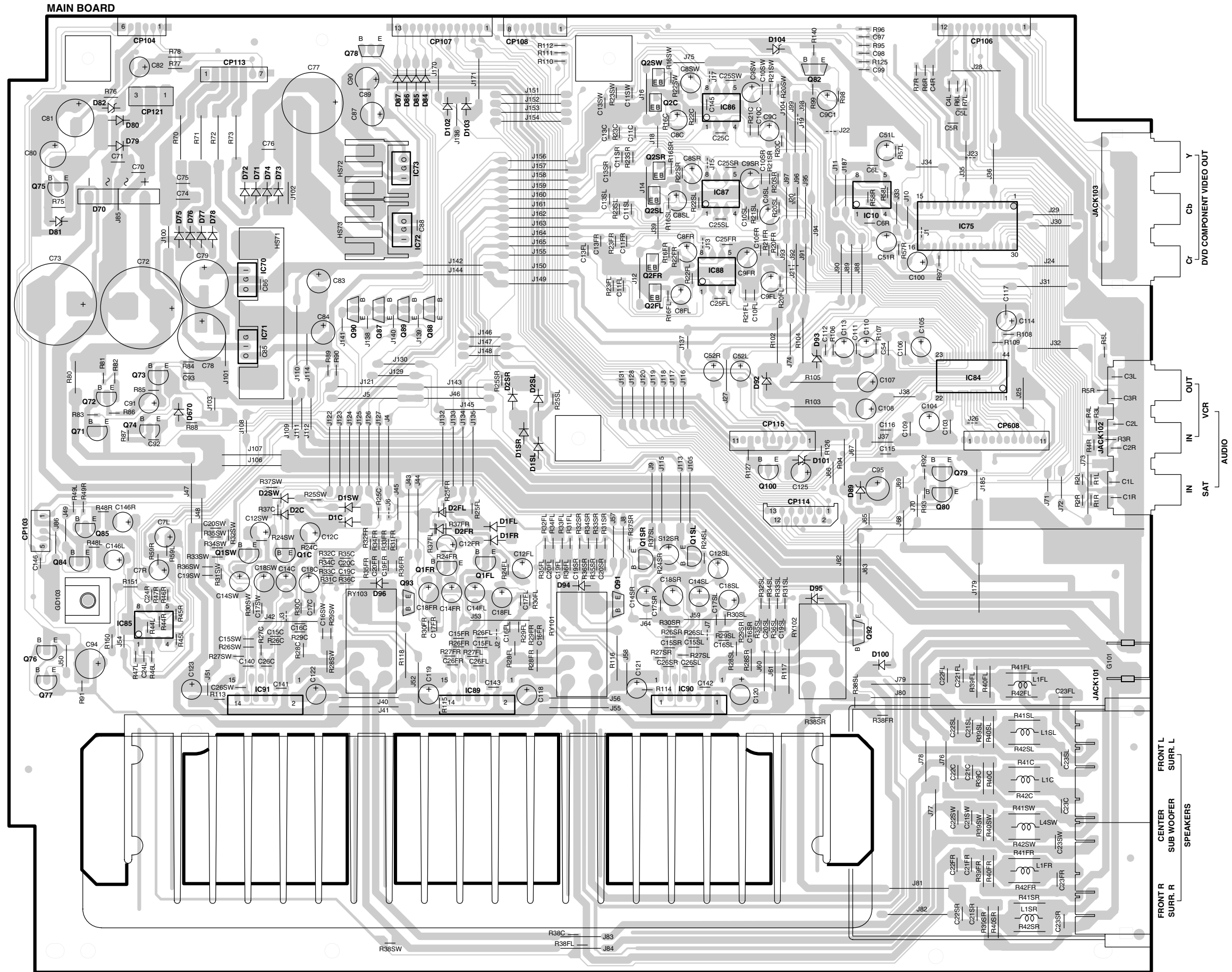
DVD BOARD



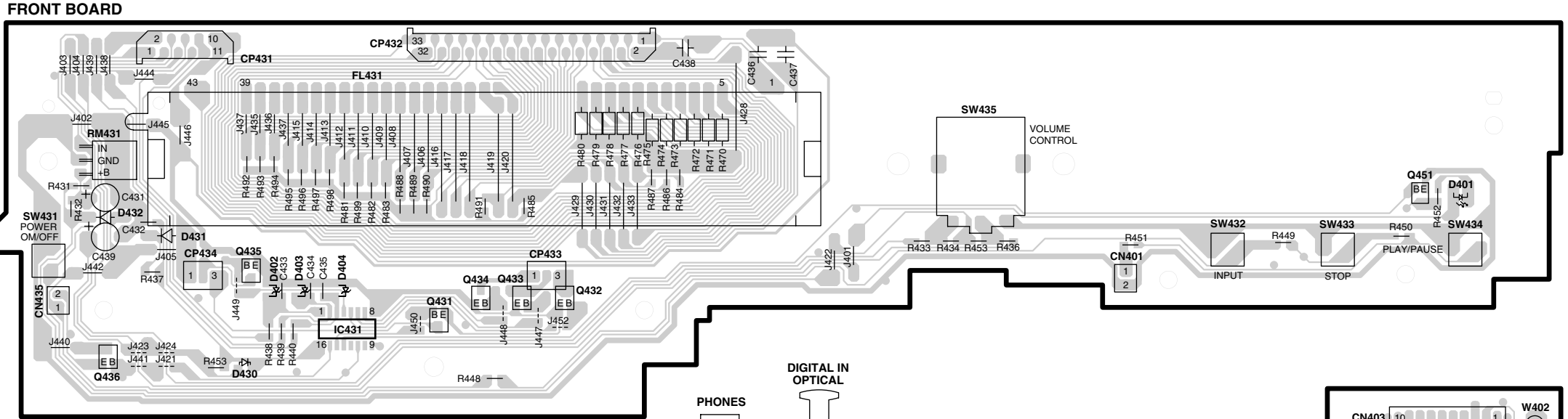
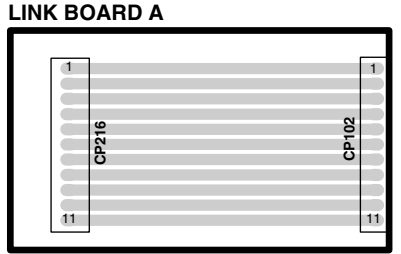
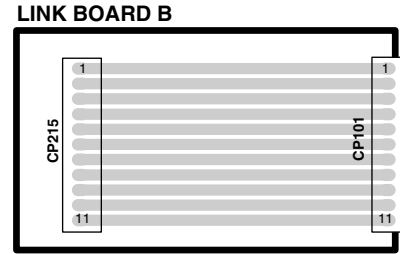
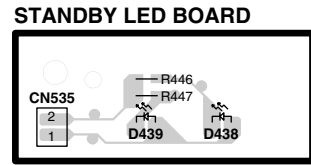
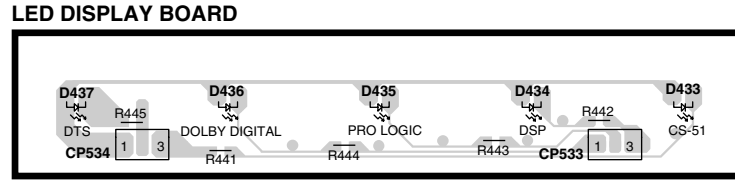
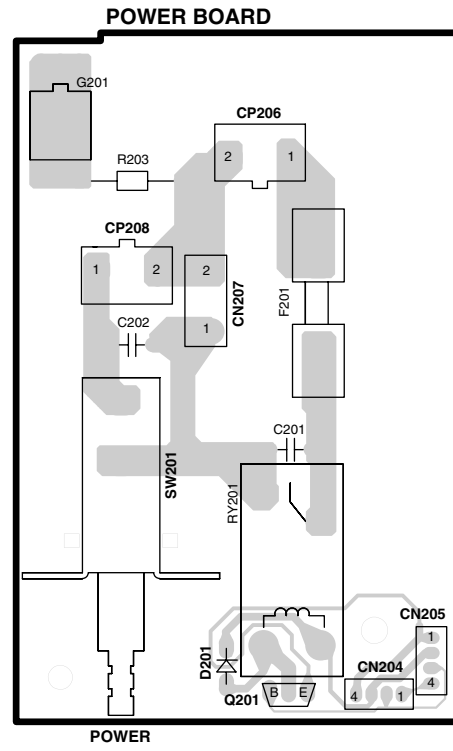
DSP BOARD



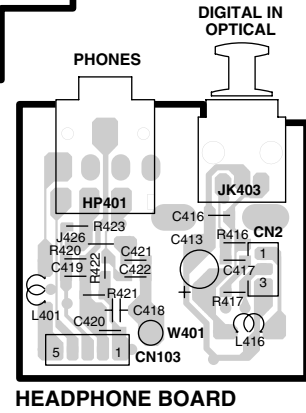
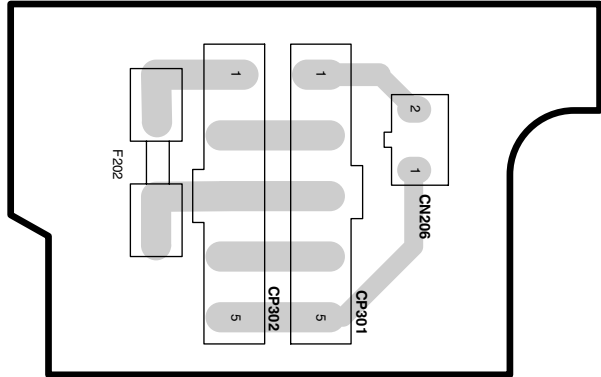
PC BOARD (Component side view)



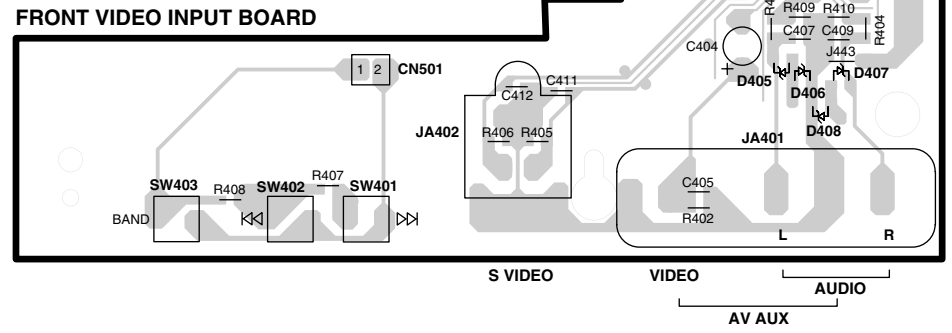
PC BOARD (Component side view)



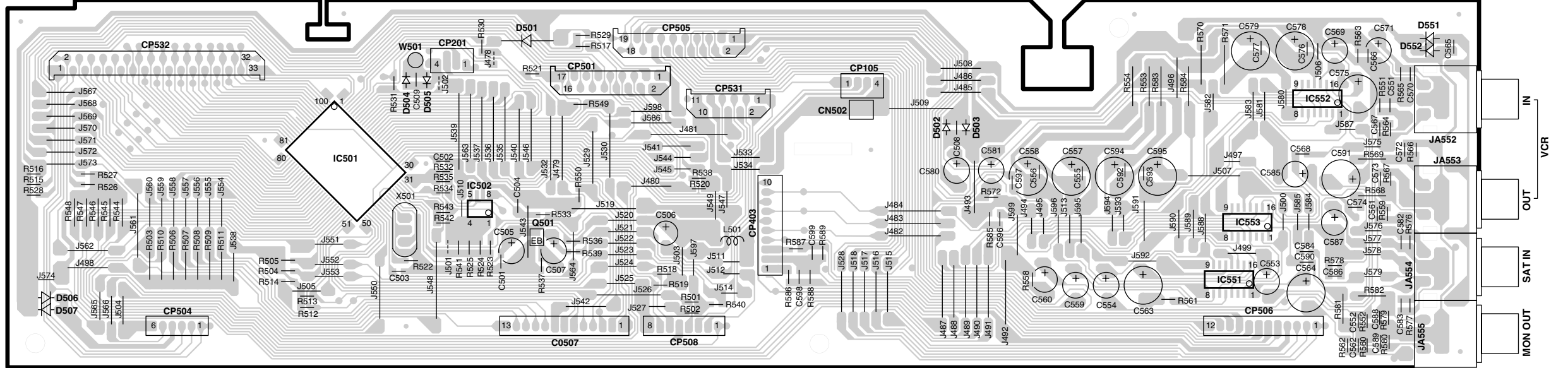
SELECTOR BOARD

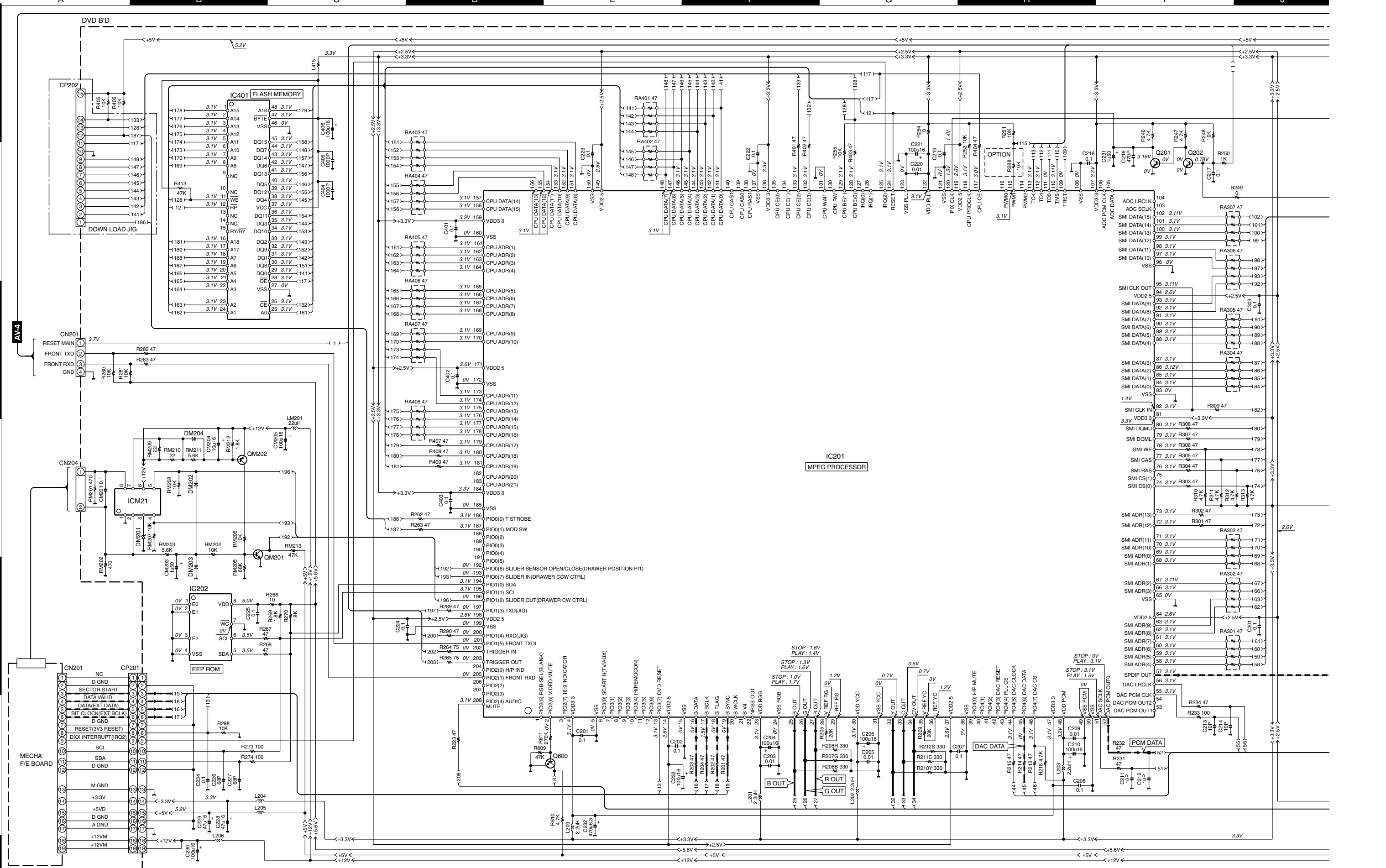


FRONT VIDEO INPUT BOARD

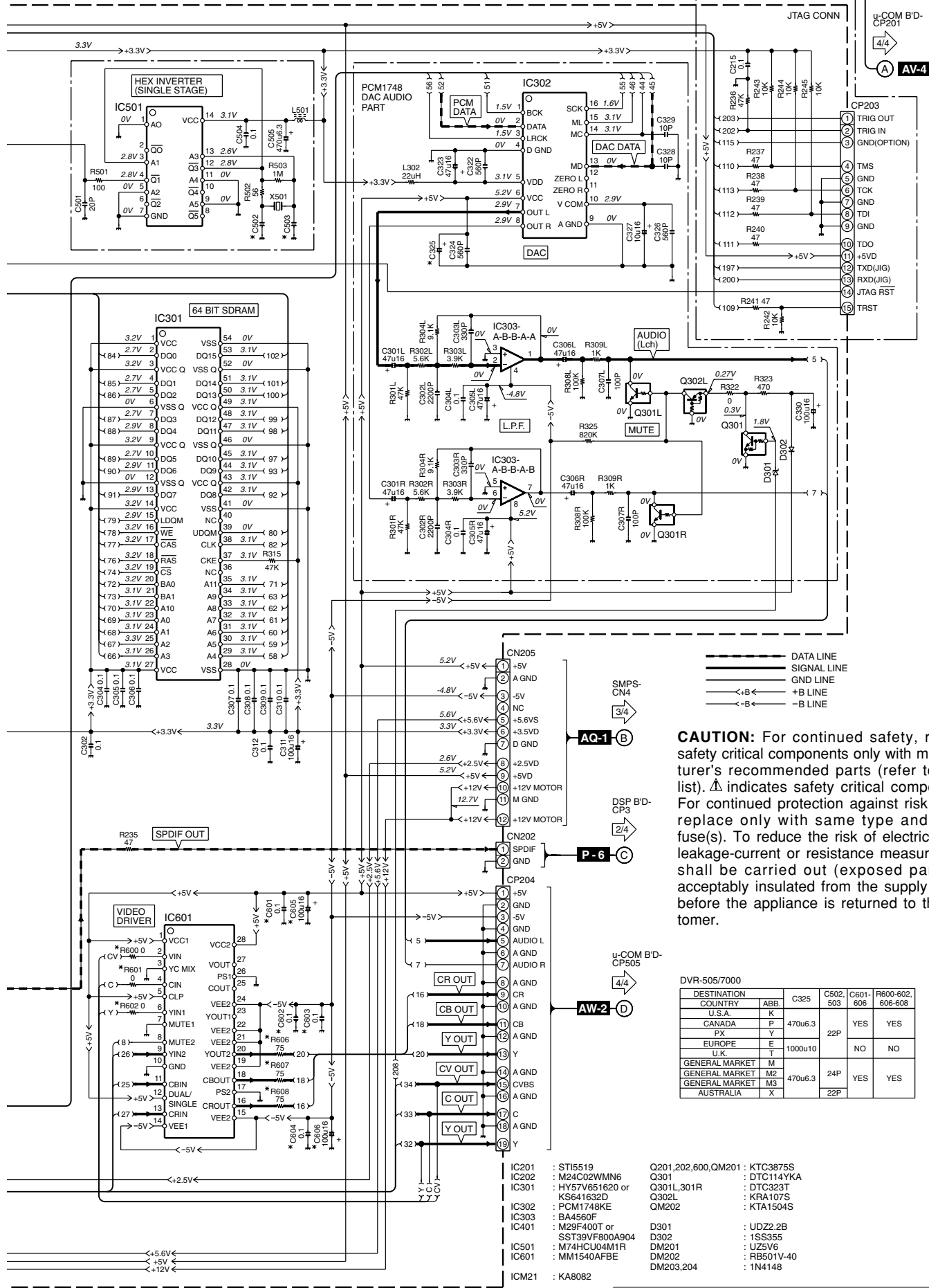


U-COM BOARD





The DC voltage is an actual reading measured with a high impedance type voltmeter with no signal input. The measurement value may vary depending on the measuring instruments used or on the product.



CAUTION: For continued safety, replace safety critical components only with manufacturer's recommended parts (refer to parts list). Δ indicates safety critical components. For continued protection against risk of fire, replace only with same type and rating fuse(s). To reduce the risk of electric shock, leakage-current or resistance measurements shall be carried out (exposed parts are acceptably insulated from the supply circuit) before the appliance is returned to the customer.

DVR-505/7000

DESTINATION	COUNTRY	ABB.	C325	C502	C601	R600-602	R600-602
U.S.A.	U.S.A.	K					
CANADA	CANADA	P	470u6.3		YES		YES
PX	PX	Y		22P			
EUROPE	EUROPE	E	1000u10			NO	NO
U.K.	U.K.	T					
GENERAL MARKET	GENERAL MARKET	M					
GENERAL MARKET	GENERAL MARKET	M2	470u6.3	24P	YES		YES
GENERAL MARKET	GENERAL MARKET	M3					
AUSTRALIA	AUSTRALIA	X		22P			

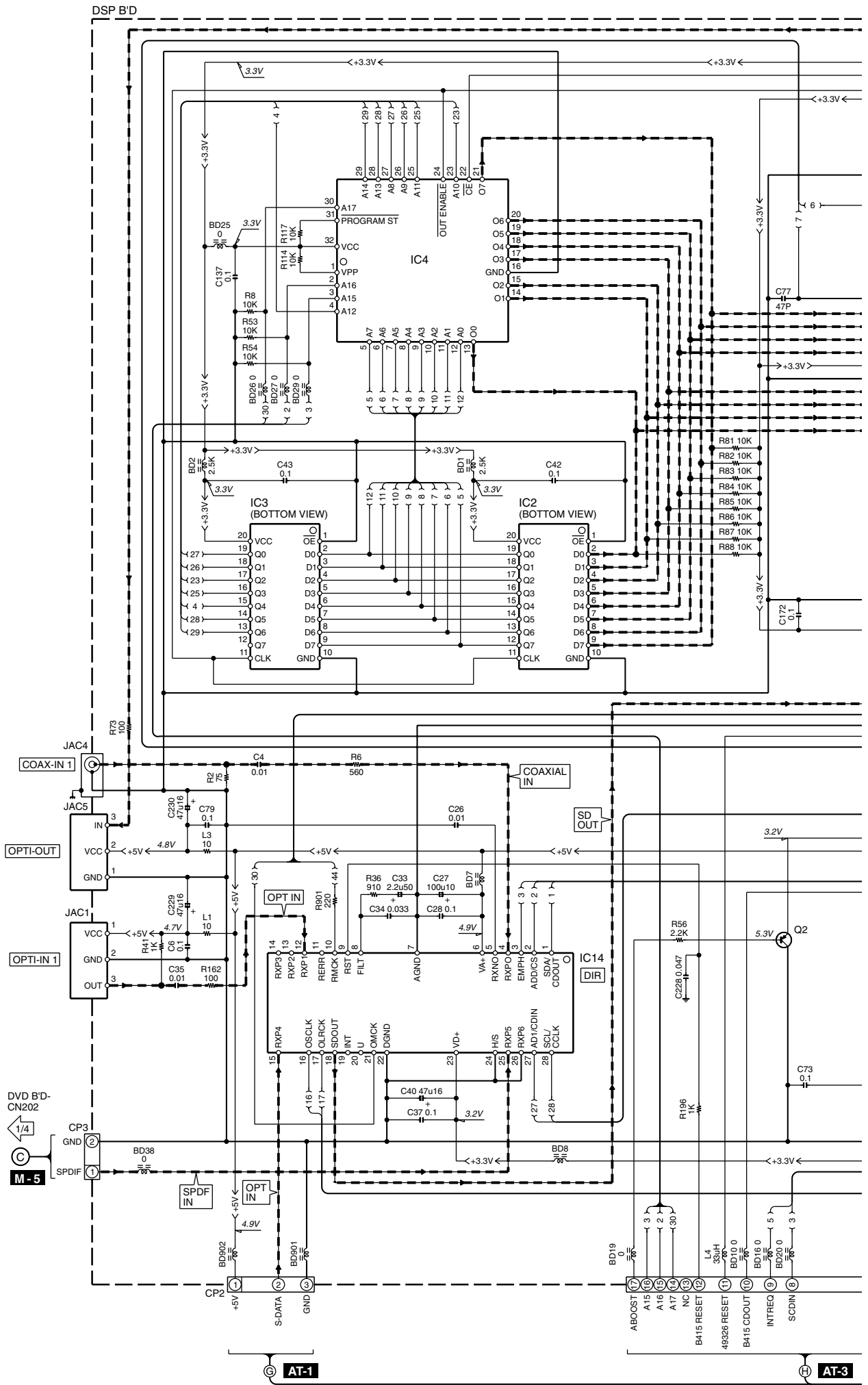
- IC201 : ST15519
- IC202 : M24C02WMN6
- IC301 : HY57V651620 or KS641632D
- IC302 : PCM1748KE
- IC303 : BA4560F
- IC401 : M29F400T or SST39VF800A904
- IC501 : M74HC04M1R
- IC601 : MM1540AFBE
- ICM21 : KA8082
- Q201,202,600,QM201 : KTC3875S
- Q301 : DTC114YKA
- Q301L,301R : DTC323T
- Q302L : KRA107S
- QM202 : KTA1504S
- D301 : UD22.2B
- D302 : 1SS335
- DM201 : UZ5V6
- DM202 : RBS01V-40
- DM203,204 : 1N4148

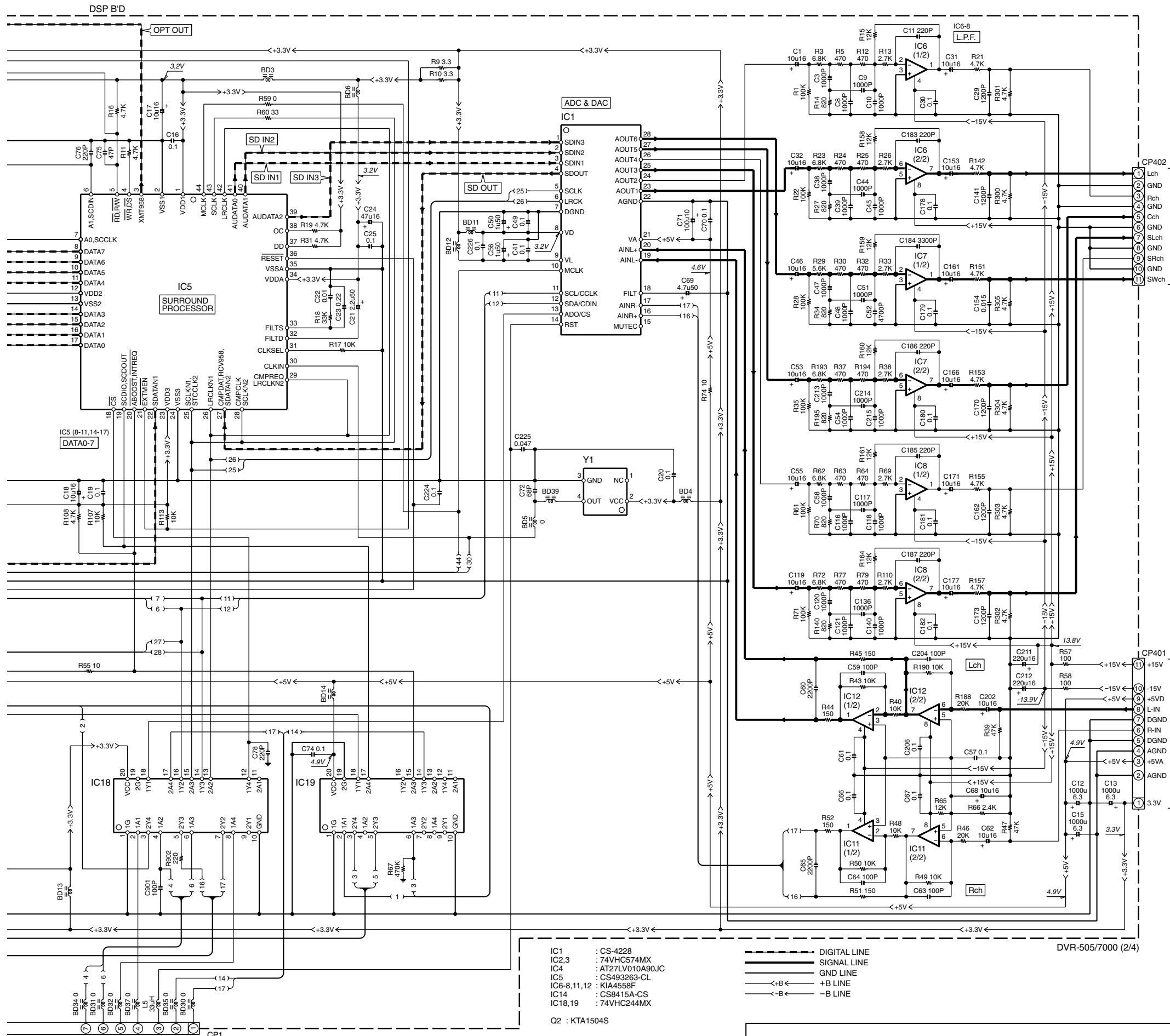
DVR-505/7000 (1/4)

DVR-505/7000

KENWOOD

1
2
3
4
5
6
7





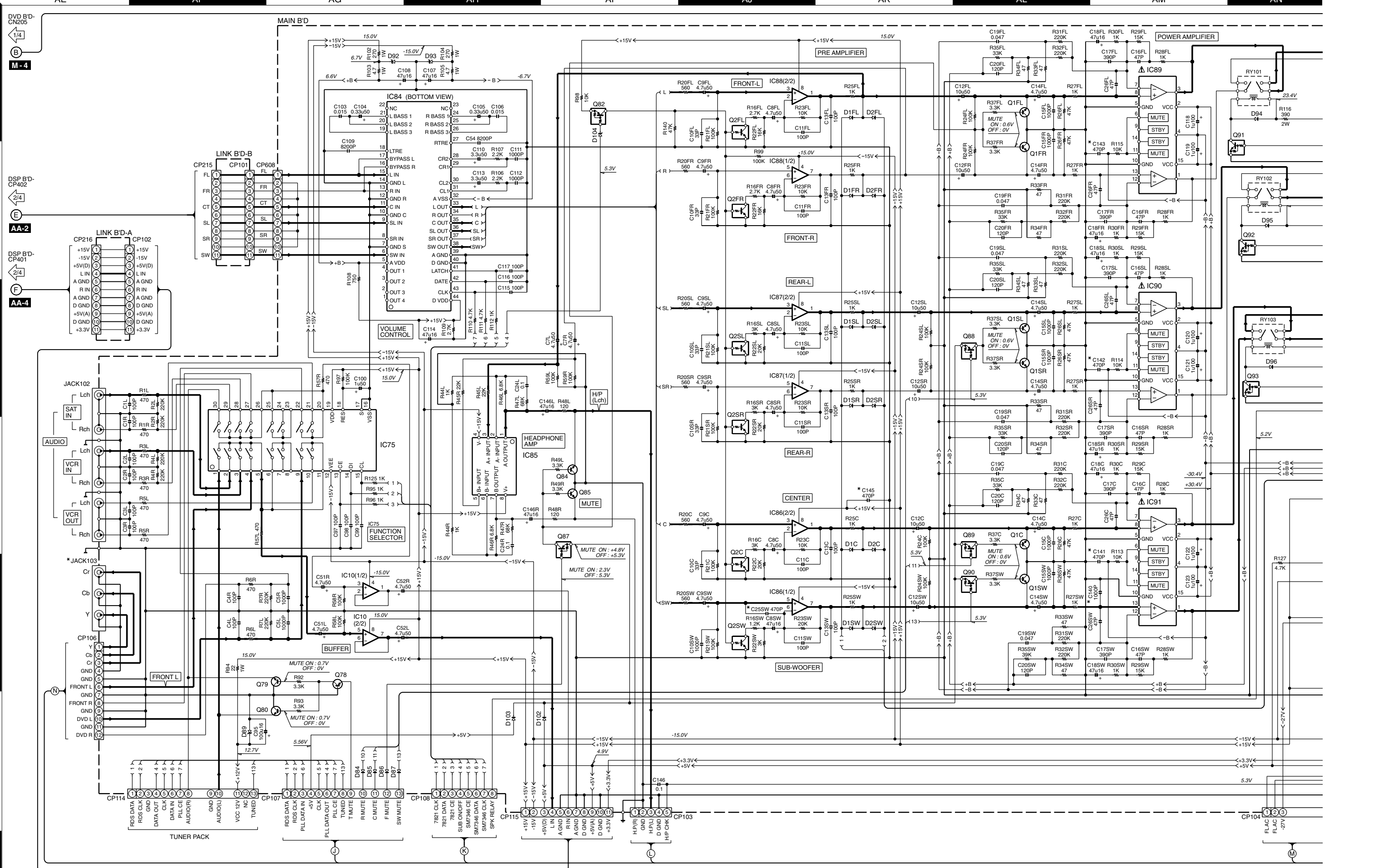
CAUTION: For continued safety, replace safety critical components only with manufacturer's recommended parts (refer to parts list). Δ indicates safety critical components. For continued protection against risk of fire, replace only with same type and rating fuse(s). To reduce the risk of electric shock, leakage-current or resistance measurements shall be carried out (exposed parts are acceptably insulated from the supply circuit) before the appliance is returned to the customer.

The DC voltage is an actual reading measured with a high impedance type voltmeter with no signal input. The measurement value may vary depending on the measuring instruments used or on the product.

DVR-505/7000

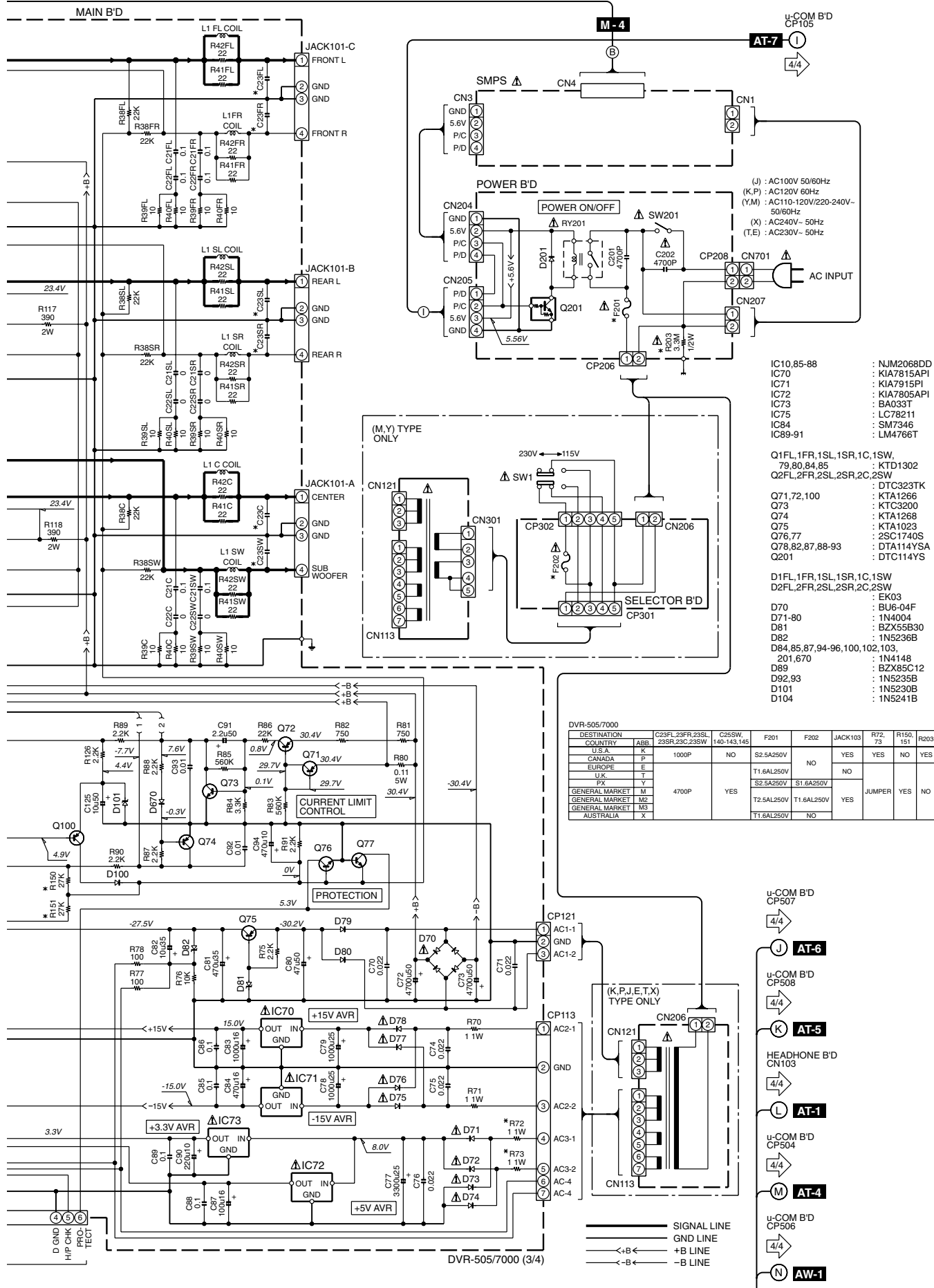
Y39-4110-10

KENWOOD



CAUTION: For continued safety, replace safety critical components only with manufacturer's recommended parts (refer to parts list). Δ indicates safety critical components. For continued protection against risk of fire, replace only with same type and rating fuse(s). To reduce the risk of electric shock, leakage-current or resistance measurements shall be carried out (exposed parts are acceptably insulated from the supply circuit) before the appliance is returned to the customer.

The DC voltage is an actual reading measured with a high impedance type voltmeter with no signal input. The measurement value may vary depending on the measuring instruments used or on the product.

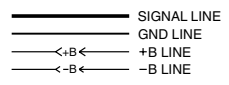


- (J) : AC100V 50/60Hz
 - (K,P) : AC120V 60Hz
 - (Y,M) : AC110-120V/220-240V-50/60Hz
 - (X) : AC240V- 50Hz
 - (T,E) : AC230V- 50Hz
- IC10,85-88 : NJM2068DD
 - IC70 : KIA7815API
 - IC71 : KIA7915PI
 - IC72 : KIA7805API
 - IC73 : BA033T
 - IC75 : LC78211
 - IC84 : SM7346
 - IC89-91 : LM4766T
- Q1FL,1FR,1SL,1SR,1C,1SW,79,80,84,85 : KTD1302
 - Q2FL,2FR,2SL,2SR,2C,2SW : DTC323TK
 - Q71,72,100 : KTA1266
 - Q73 : KTC3200
 - Q74 : KTA1268
 - Q75 : KTA1023
 - Q76,77 : 2SC1740S
 - Q78,82,87,88-93 : DTA114YSA
 - Q201 : DTC114YS
- D1FL,1FR,1SL,1SR,1C,1SW : EKO3
 - D2FL,2FR,2SL,2SR,2C,2SW : BU6-04F
 - D70 : 1N4004
 - D71-80 : BZX55B30
 - D81 : 1N5236B
 - D82 : 1N4148
 - D84,85,87,94-96,100,102,103,201,670 : BZX85C12
 - D89 : 1N5235B
 - D92,93 : 1N5230B
 - D101 : 1N5230B
 - D104 : 1N5241B

DVR-505/7000

DESTINATION	C23FL,23FR,23SL,23SR,23C,23SW	C25SW	F201	F202	JACK103	R72,73	R150,151	R203
U.S.A.	K	140-143,145	NO	S2.5A250V	YES	YES	NO	YES
CANADA	P	1000P	NO	S2.5A250V	NO	YES	NO	YES
EUROPE	E		NO	T1.6A1250V	NO	JUMPER	YES	NO
U.K.	T		NO	S2.5A250V	NO			
FX	Y		NO	S1.6A250V	NO			
GENERAL MARKET M		4700P	YES	T2.5A1250V	YES			
GENERAL MARKET M2				T1.6A1250V	NO			
GENERAL MARKET M3								
AUSTRALIA	X			T1.6A1250V	NO			

- U-COM B'D CP507 : AT-6
- U-COM B'D CP508 : AT-5
- HEADPHONE B'D CN103 : AT-1
- U-COM B'D CP504 : AT-4
- U-COM B'D CP506 : AW-1

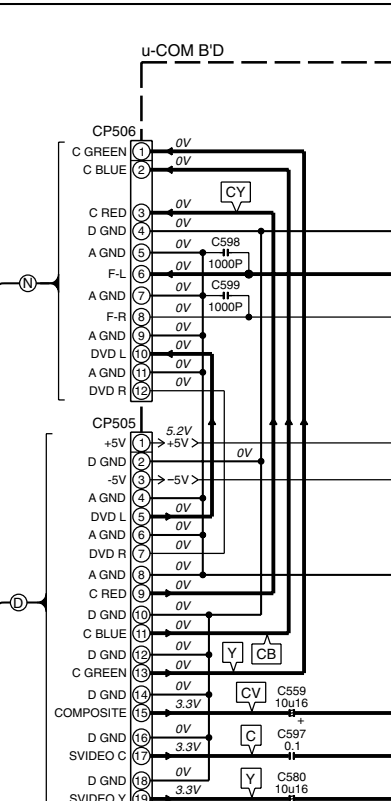
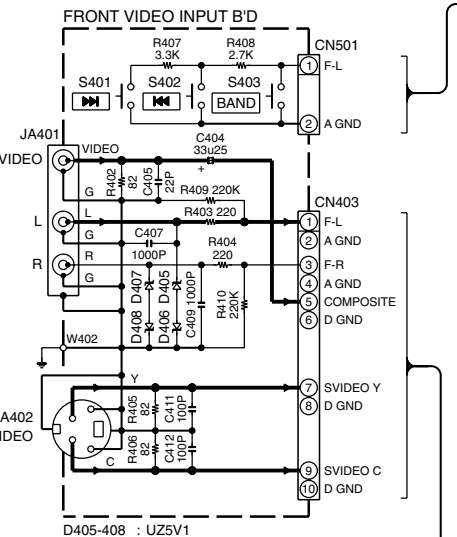
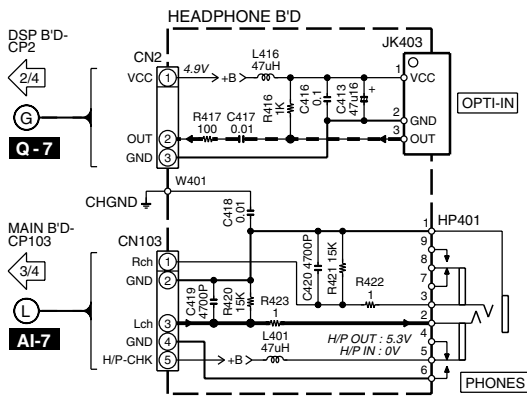


DVR-505/7000 (3/4)

DVR-505/7000

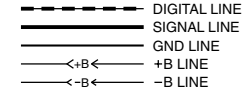
Y39-4110-10

KENWOOD



DVR-505/7000

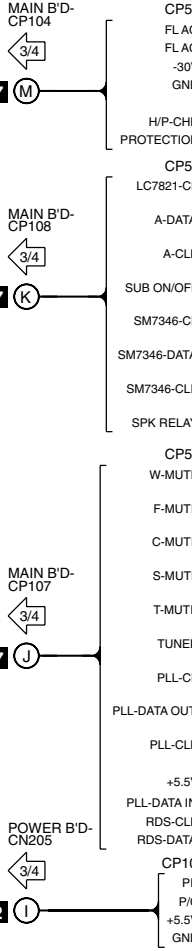
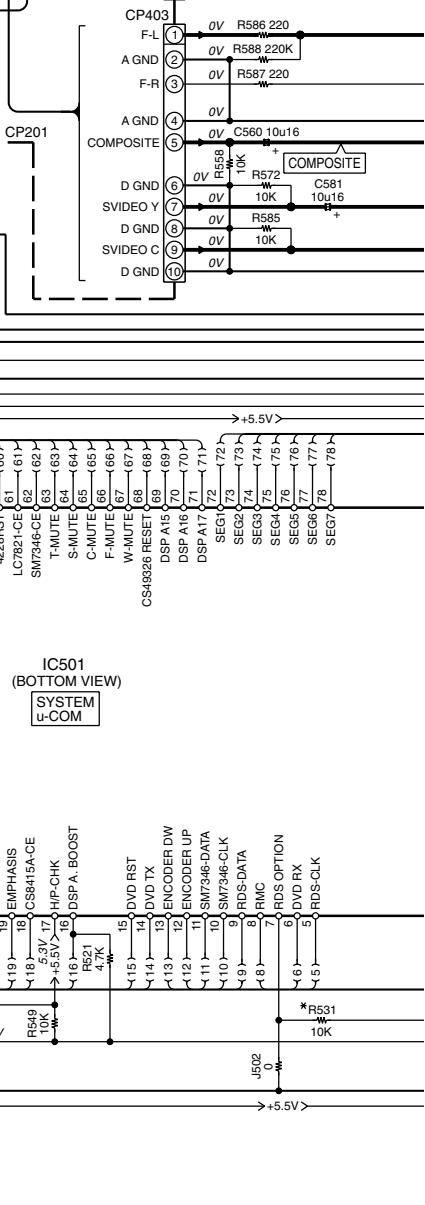
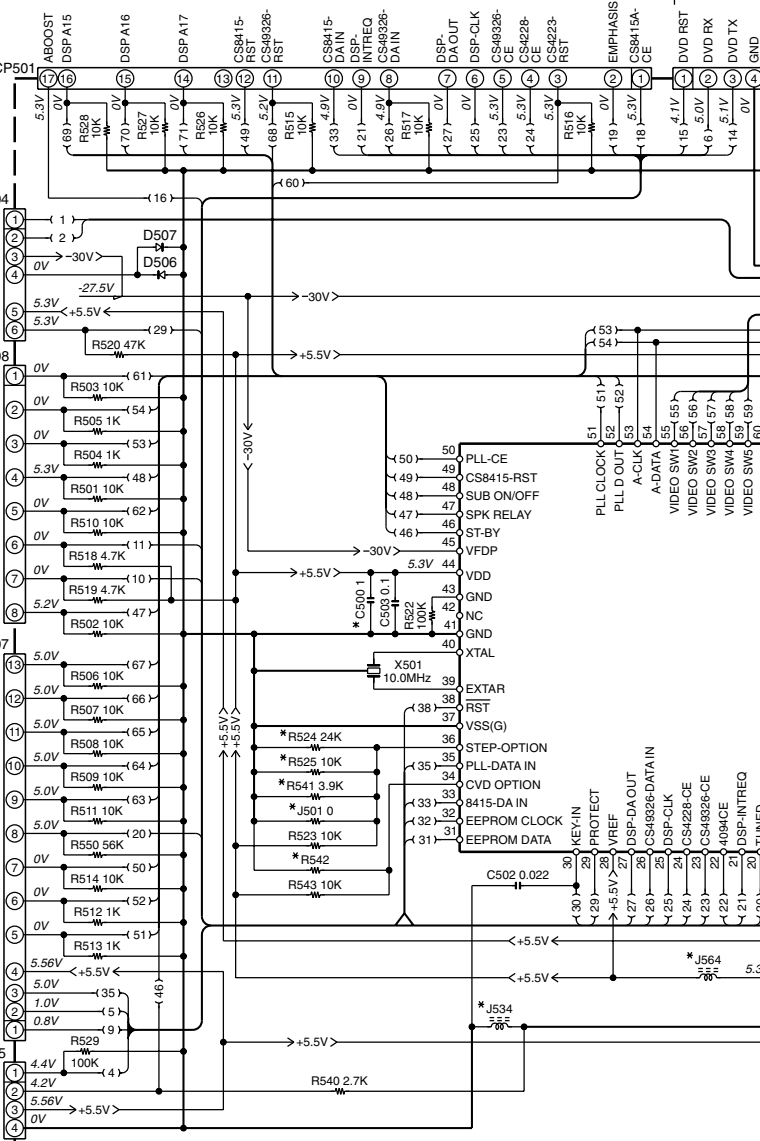
DESTINATION	COUNTRY	ABB.	C500	J501	J534, 564	R524	R525	R531	R541	R542
U.S.A.	U.S.A.	K								
CANADA	CANADA	P		NO						NO
GENERAL MARKET	GENERAL MARKET	M	YES		AXIAL JUMPER	NO	NO	NO	NO	3.9K
GENERAL MARKET	GENERAL MARKET	M2	NO			NO	NO	NO	NO	1.2K
GENERAL MARKET	GENERAL MARKET	M3				YES			YES	4.7K
AUSTRALIA	AUSTRALIA	X								
U.K.	U.K.	T								1.2K
EUROPE	EUROPE	E								



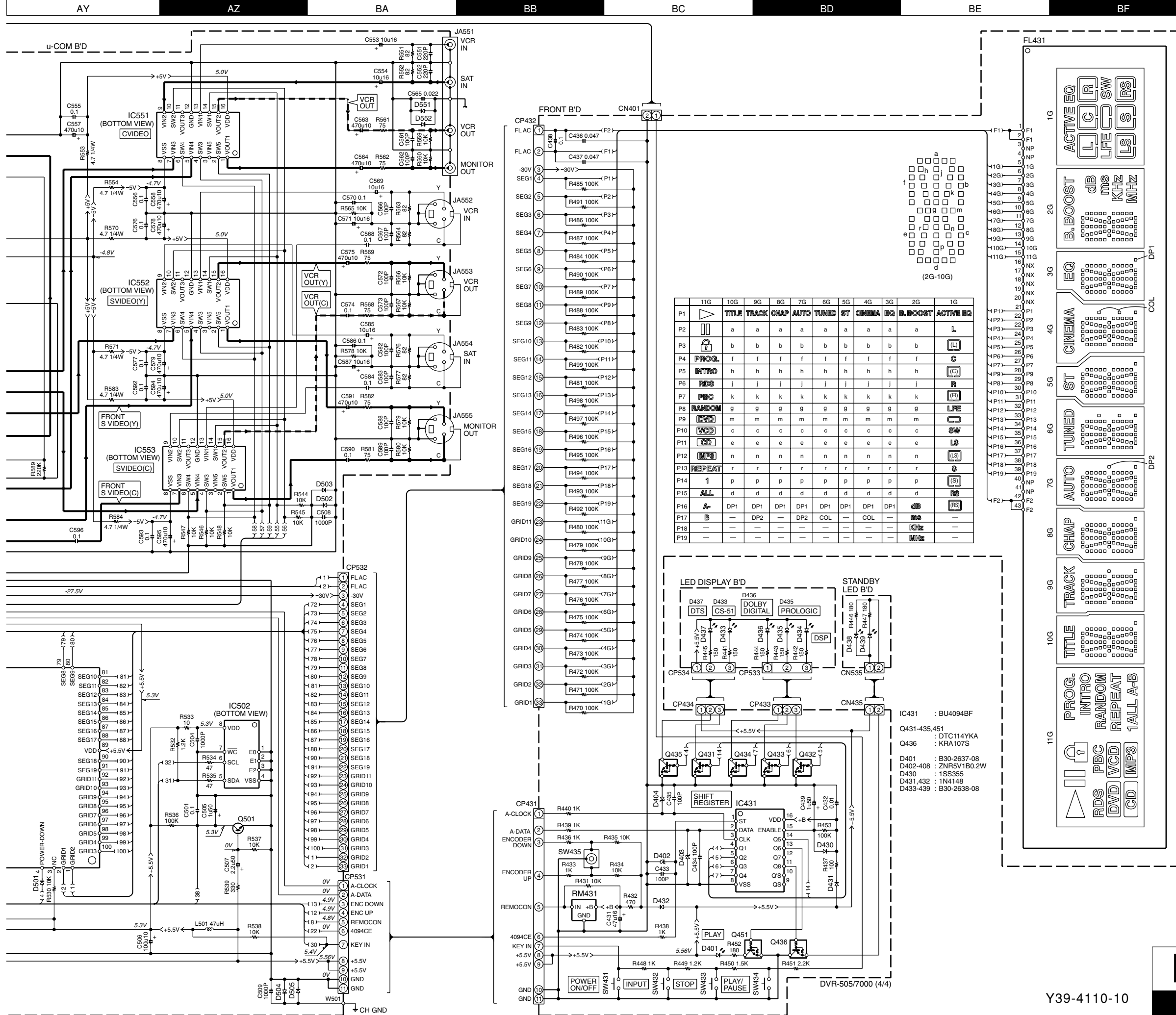
IC501 : CXP82860-347Q
 IC502 : M24C02WMN6
 IC551-553 : NJM2296

Q501 : KTC3875S

D502-505 : 1SS355
 D501,506,507, D551,552 : 1N4148



1
2
3
4
5
6
7



CAUTION: For continued safety, replace safety critical components only with manufacturer's recommended parts (refer to parts list). Δ indicates safety critical components. For continued protection against risk of fire, replace only with same type and rating fuse(s). To reduce the risk of electric shock, leakage-current or resistance measurements shall be carried out (exposed parts are acceptably insulated from the supply circuit) before the appliance is returned to the customer.

The DC voltage is an actual reading measured with a high impedance type voltmeter with no signal input. The measurement value may vary depending on the measuring instruments used or on the product.

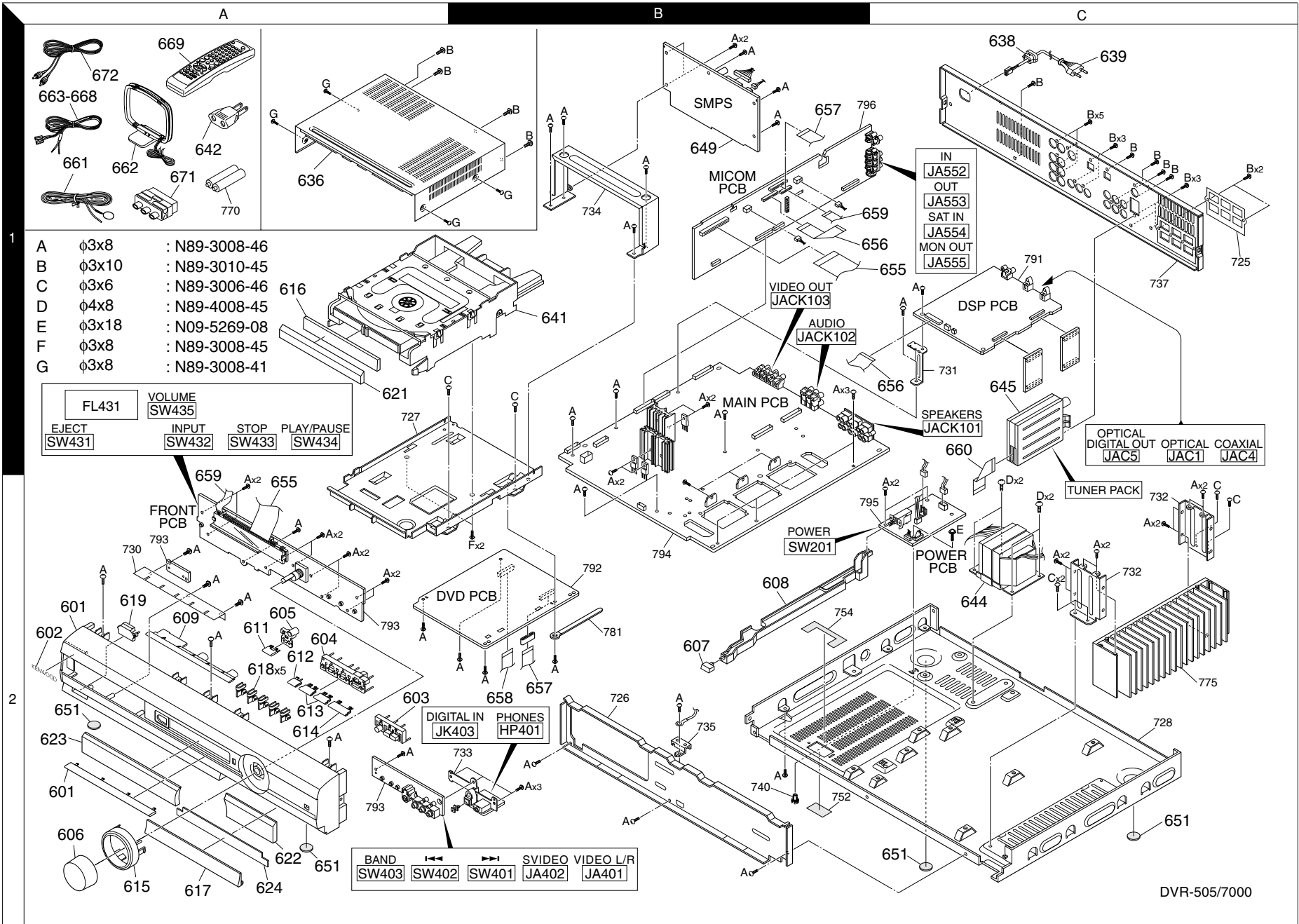
	11G	10G	9G	8G	7G	6G	5G	4G	3G	2G	1G
P1	▶	TITLE	TRACK	CHAP	AUTO	TUNED	ST	CINEMA	EQ	B. BOOST	ACTIVE EQ
P2		a	a	a	a	a	a	a	a	a	L
P3	🔒	b	b	b	b	b	b	b	b	b	(L)
P4	PROG.	f	f	f	f	f	f	f	f	f	C
P5	INTRO	h	h	h	h	h	h	h	h	h	(C)
P6	RDS	j	j	j	j	j	j	j	j	j	(R)
P7	PBC	k	k	k	k	k	k	k	k	k	(R)
P8	RANDOM	g	g	g	g	g	g	g	g	g	LFE
P9	DVD	m	m	m	m	m	m	m	m	m	CD
P10	VCD	c	c	c	c	c	c	c	c	c	SW
P11	CD	e	e	e	e	e	e	e	e	e	LS
P12	MP3	n	n	n	n	n	n	n	n	n	(LS)
P13	REPEAT	r	r	r	r	r	r	r	r	r	S
P14	1	p	p	p	p	p	p	p	p	p	(S)
P15	ALL	d	d	d	d	d	d	d	d	d	RS
P16	A-	DP1	DP1	DP1	DP1	DP1	DP1	DP1	DP1	dB	(RS)
P17	B	-	DP2	-	DP2	-	COL	-	COL	-	ms
P18	-	-	-	-	-	-	-	-	-	-	KHz
P19	-	-	-	-	-	-	-	-	-	-	MHz

DVR-505/7000

KENWOOD

Y39-4110-10

Parts with exploded numbers larger than 700 are not supplied.



EXPLODED VIEW

DVR-505/7000

DVR-505/7000

* New Parts
 Parts without **Parts No.** are not supplied.
 Les articles non mentionnés dans le **Parts No.** ne sont pas fournis.
 Teile ohne **Parts No.** werden nicht geliefert.

③

Ref. No	Add-ress	New Parts	Parts No.	Description	Desti-nation	Re-marks
C22			CK73FB1H103K	CHIP C 0.010UF	K	
C23			CK73FB1H224K	CHIP C 0.22UF	K	
C24			CE04LW1C470M	ELECTRO 47UF	16WV	
C25			CK73FB1H104K	CHIP C 0.10UF	K	
C26			CK73FB1H103K	CHIP C 0.010UF	K	
C27			CE04LW1A101M	ELECTRO 100UF	10WV	
C28			CK73FB1H104K	CHIP C 0.10UF	K	
C29			CK73FB1H122K	CHIP C 1200PF	K	
C30			CK73FB1H104K	CHIP C 0.10UF	K	
C31_32			CE04LW1C100M	ELECTRO 10UF	16WV	
C33			CE04LW1H2R2M	ELECTRO 2.2UF	50WV	
C34			CK73FB1H333K	CHIP C 0.033UF	K	
C35			CK73FB1H103K	CHIP C 0.010UF	K	
C37			CK73FB1H104K	CHIP C 0.10UF	K	
C38_39			CK73FB1H102K	CHIP C 1000PF	K	
C40			CE04LW1C470M	ELECTRO 47UF	16WV	
C41_43			CK73FB1H104K	CHIP C 0.10UF	K	
C44_45			CK73FB1H102K	CHIP C 1000PF	K	
C46			CE04LW1C100M	ELECTRO 10UF	16WV	
C47_48			CK73FB1H102K	CHIP C 1000PF	K	
C49			CK73FB1H104K	CHIP C 0.10UF	K	
C50			CE04LW1H010M	ELECTRO 1.0UF	50WV	
C51			CK73FB1H102K	CHIP C 1000PF	K	
C52			CK73FB1H473K	CHIP C 0.047UF	K	
C53			CE04LW1C100M	ELECTRO 10UF	16WV	
C54			CK73FB1H102K	CHIP C 1000PF	K	
C55			CE04LW1C100M	ELECTRO 10UF	16WV	
C56			CE04LW1H010M	ELECTRO 1.0UF	50WV	
C57			CK73FB1H104K	CHIP C 0.10UF	K	
C58			CK73FB1H102K	CHIP C 1000PF	K	
C59			CC73FCH1H101J	CHIP C 100PF	J	
C60			CK73FB1H222K	CHIP C 2200PF	K	
C61			CK73FB1H104K	CHIP C 0.10UF	K	
C62			CE04LW1C100M	ELECTRO 10UF	16WV	
C63_64			CC73FCH1H101J	CHIP C 100PF	J	
C65			CK73FB1H222K	CHIP C 2200PF	K	
C66_67			CK73FB1H104K	CHIP C 0.10UF	K	
C68			CE04LW1C100M	ELECTRO 10UF	16WV	
C69			CE04LW1H4R7M	ELECTRO 4.7UF	50WV	
C70			CK73FB1H104K	CHIP C 0.10UF	K	
C71			CE04LW1A101M	ELECTRO 100UF	10WV	
C72			CC73FCH1H680J	CHIP C 68PF	J	
C73_74			CK73FB1H104K	CHIP C 0.10UF	K	
C75			CC73FCH1H470J	CHIP C 47PF	J	
C76			CC73FCH1H221J	CHIP C 220PF	J	
C77			CC73FCH1H470J	CHIP C 47PF	J	
C78			CC73FCH1H221J	CHIP C 220PF	J	
C79			CK73FB1H104K	CHIP C 0.10UF	K	
C116-118			CK73FB1H102K	CHIP C 1000PF	K	
C119			CE04LW1C100M	ELECTRO 10UF	16WV	
C120,121			CK73FB1H102K	CHIP C 1000PF	K	
C136			CK73FB1H102K	CHIP C 1000PF	K	
C140			CK73FB1H102K	CHIP C 1000PF	K	
C141			CK73FB1H122K	CHIP C 1200PF	K	
C153			CE04LW1C100M	ELECTRO 10UF	16WV	

L : Scandinavia K : USA P : Canada R : Mexico C : China I : Malaysia
 Y : PX(Far East,Hawaii) T : England E : Europe G : Germany V : China(Shanghai)
 Y : AAFES(Europe) X : Australia Q : Russia H : Korea M : Other Areas Δ indicates safety critical components.

* New Parts
 Parts without **Parts No.** are not supplied.
 Les articles non mentionnés dans le **Parts No.** ne sont pas fournis.
 Teile ohne **Parts No.** werden nicht geliefert.

④

Ref. No	Add-ress	New Parts	Parts No.	Description	Desti-nation	Re-marks
C154			CK73FB1H153J	CHIP C 0.015UF	J	
C161			CE04LW1C100M	ELECTRO 10UF	16WV	
C162			CK73FB1H122K	CHIP C 1200PF	K	
C166			CE04LW1C100M	ELECTRO 10UF	16WV	
C170			CK73FB1H122K	CHIP C 1200PF	K	
C171			CE04LW1C100M	ELECTRO 10UF	16WV	
C172			CK73FB1H104K	CHIP C 0.10UF	K	
C173			CK73FB1H122K	CHIP C 1200PF	K	
C177			CE04LW1C100M	ELECTRO 10UF	16WV	
C178-182			CK73FB1H104K	CHIP C 0.10UF	K	
C183			CC73FCH1H221J	CHIP C 220PF	J	
C184			CK73FB1H333J	CHIP C 3300PF	J	
C185-187			CC73FCH1H221J	CHIP C 220PF	J	
C202			CE04LW1C100M	ELECTRO 10UF	16WV	
C204			CC73FCH1H101J	CHIP C 100PF	J	
C206			CK73FB1H104K	CHIP C 0.10UF	K	
C211_212			CE04LW1C221M	ELECTRO 220UF	16WV	
C213-215			CK73FB1H102K	CHIP C 1000PF	K	
C224			CK73FB1H104K	CHIP C 0.10UF	K	
C225			CK73FB1H473K	CHIP C 0.047UF	K	
C226			CK73FB1H104K	CHIP C 0.10UF	K	
C228			CK73FB1H473K	CHIP C 0.047UF	K	
C229,230			CE04LW1C470M	ELECTRO 47UF	16WV	
C901			CC73FCH1H101J	CHIP C 100PF	J	
C902			CC73FCH1H470J	CHIP C 47PF	J	
CP01			E41-0801-08	CONN 1.25MM 17	55124750	
JAC4			E63-1244-08	CON PHONO SCKT	55164750	
BD1_4		*	L92-0556-08	FBEAD SURFACE M55126690		
BD6_8		*	L92-0556-08	FBEAD SURFACE M55126690		
BD11-14		*	L92-0556-08	FBEAD SURFACE M55126690		
BD901_902		*	L32-1047-08	FBEAD SURFACE M55126670		
BEAD28		*	L92-0556-08	FBEAD SURFACE M55126690		
L4		*	L92-0557-08	LF-SMD 33U0H +155185090		
BD5			RK73FB2A222J	CHIP R 2.2K	J	1/10W
BD10			RK73FB2A000J	CHIP R 0	J	1/10W
BD16-20			RK73FB2A000J	CHIP R 0	J	1/10W
BD25			RK73FB2A220J	CHIP R 22	J	1/10W
BD27			RK73FB2A220J	CHIP R 22	J	1/10W
BD29-32			RK73FB2A220J	CHIP R 22	J	1/10W
BD34,35			RK73FB2A000J	CHIP R 0	J	1/10W
BD37			RK73FB2A220J	CHIP R 22	J	1/10W
BD38,39			RK73FB2A000J	CHIP R 0	J	1/10W
L1			RK73FB2A100J	CHIP R 10	J	1/10W
L3			RK73FB2A100J	CHIP R 10	J	1/10W
R1			RK73FB2A104J	CHIP R 100K	J	1/10W
R2			RK73FB2A750J	CHIP R 75	J	1/10W
R3			RK73FB2A682J	CHIP R 6.8K	J	1/10W
R5			RK73FB2A472J	CHIP R 4.7K	J	1/10W
R6			RK73FB2A562J	CHIP R 5.6K	J	1/10W
R8			RK73FB2A103J	CHIP R 10K	J	1/10W
R9_10			RK73FB2A3R3J	CHIP R 3.3	J	1/10W
R11			RK73FB2A472J	CHIP R 4.7K	J	1/10W
R12			RK73FB2A472J	CHIP R 4.7K	J	1/10W

L : Scandinavia K : USA P : Canada R : Mexico C : China I : Malaysia
 Y : PX(Far East,Hawaii) T : England E : Europe G : Germany V : China(Shanghai)
 Y : AAFES(Europe) X : Australia Q : Russia H : Korea M : Other Areas Δ indicates safety critical components.

PARTS LIST

DVR-505/7000

* New Parts
Parts without **Parts No.** are not supplied.
Les articles non mentionnés dans le **Parts No.** ne sont pas fournis.
Teile ohne **Parts No.** werden nicht geliefert.

5

Ref. No	Add-ress	New Parts	Parts No.	Description	Desti-nation	Re-marks
R13			RK73FB2A272J	CHIP R 2.7K J 1/10W		
R14			RK73FB2A822J	CHIP R 8.2K J 1/10W		
R15			RK73FB2A123J	CHIP R 12K J 1/10W		
R16			RK73FB2A472J	CHIP R 4.7K J 1/10W		
R17			RK73FB2A103J	CHIP R 10K J 1/10W		
R18			RK73FB2A333J	CHIP R 33K J 1/10W		
R19			RK73FB2A472J	CHIP R 4.7K J 1/10W		
R21			RK73FB2A472J	CHIP R 4.7K J 1/10W		
R22			RK73FB2A104J	CHIP R 100K J 1/10W		
R23			RK73FB2A682J	CHIP R 6.8K J 1/10W		
R24 ,25			RK73FB2A472J	CHIP R 4.7K J 1/10W		
R26			RK73FB2A272J	CHIP R 2.7K J 1/10W		
R27			RK73FB2A822J	CHIP R 8.2K J 1/10W		
R28			RK73FB2A104J	CHIP R 100K J 1/10W		
R29			RK73FB2A562J	CHIP R 5.6K J 1/10W		
R30			RK73FB2A472J	CHIP R 4.7K J 1/10W		
R31			RK73FB2A472J	CHIP R 4.7K J 1/10W		
R32			RK73FB2A472J	CHIP R 4.7K J 1/10W		
R33			RK73FB2A272J	CHIP R 2.7K J 1/10W		
R34			RK73FB2A822J	CHIP R 8.2K J 1/10W		
R35			RK73FB2A104J	CHIP R 100K J 1/10W		
R36			RK73FB2A912J	CHIP R 9.1K J 1/10W		
R37			RK73FB2A472J	CHIP R 4.7K J 1/10W		
R38			RK73FB2A272J	CHIP R 2.7K J 1/10W		
R39			RK73FB2A473J	CHIP R 47K J 1/10W		
R40			RK73FB2A103J	CHIP R 10K J 1/10W		
R41			RK73FB2A102J	CHIP R 1.0K J 1/10W		
R43			RK73FB2A103J	CHIP R 10K J 1/10W		
R44 ,45			RK73FB2A152J	CHIP R 1.5K J 1/10W		
R46			RK73FB2A203J	CHIP R 20K J 1/10W		
R47			RK73FB2A473J	CHIP R 47K J 1/10W		
R48 -50			RK73FB2A103J	CHIP R 10K J 1/10W		
R51 ,52			RK73FB2A152J	CHIP R 1.5K J 1/10W		
R53 ,54			RK73FB2A103J	CHIP R 10K J 1/10W		
R54			RK73FB2A103J	CHIP R 10K J 1/10W		
R55			RK73FB2A100J	CHIP R 10 J 1/10W		
R56			RK73FB2A222J	CHIP R 2.2K J 1/10W		
R57 ,58			RK73FB2A102J	CHIP R 1.0K J 1/10W		
R59			RK73FB2A000J	CHIP R 0 J 1/10W		
R60			R92-1989-08	FBEAD SURFACE M55126660		
R61			RK73FB2A104J	CHIP R 100K J 1/10W		
R62			RK73FB2A682J	CHIP R 6.8K J 1/10W		
R63 ,64			RK73FB2A472J	CHIP R 4.7K J 1/10W		
R65			RK73FB2A123J	CHIP R 12K J 1/10W		
R66			RK73FB2A242J	CHIP R 2.4K J 1/10W		
R67			RK73FB2A473J	CHIP R 47K J 1/10W		
R69			RK73FB2A272J	CHIP R 2.7K J 1/10W		
R70			RK73FB2A822J	CHIP R 8.2K J 1/10W		
R71			RK73FB2A104J	CHIP R 100K J 1/10W		
R72			RK73FB2A682J	CHIP R 6.8K J 1/10W		
R73			RK73FB2A102J	CHIP R 1.0K J 1/10W		
R74			RK73FB2A100J	CHIP R 10 J 1/10W		
R77			RK73FB2A472J	CHIP R 4.7K J 1/10W		
R79			RK73FB2A472J	CHIP R 4.7K J 1/10W		
R81 -88			RK73FB2A103J	CHIP R 10K J 1/10W		

L : Scandinavia K : USA P : Canada R : Mexico C : China I : Malaysia
Y : PX(Far East,Hawaii) T : England E : Europe G : Germany V : China(Shanghai)
Y : AAFES(Europe) X : Australia Q : Russia H : Korea M : Other Areas Δ indicates safety critical components .

* New Parts
Parts without **Parts No.** are not supplied.
Les articles non mentionnés dans le **Parts No.** ne sont pas fournis.
Teile ohne **Parts No.** werden nicht geliefert.

5

Ref. No	Add-ress	New Parts	Parts No.	Description	Desti-nation	Re-marks
R107,108			RK73FB2A472J	CHIP R 4.7K J 1/10W		
R110			RK73FB2A272J	CHIP R 2.7K J 1/10W		
R113,114			RK73FB2A103J	CHIP R 10K J 1/10W		
R117			RK73FB2A103J	CHIP R 10K J 1/10W		
R140			RK73FB2A822J	CHIP R 8.2K J 1/10W		
R142			RK73FB2A472J	CHIP R 4.7K J 1/10W		
R151			RK73FB2A472J	CHIP R 4.7K J 1/10W		
R153			RK73FB2A472J	CHIP R 4.7K J 1/10W		
R155			RK73FB2A472J	CHIP R 4.7K J 1/10W		
R157			RK73FB2A472J	CHIP R 4.7K J 1/10W		
R158-161			RK73FB2A123J	CHIP R 12K J 1/10W		
R162			RK73FB2A102J	CHIP R 1.0K J 1/10W		
R164			RK73FB2A123J	CHIP R 12K J 1/10W		
R188			RK73FB2A203J	CHIP R 20K J 1/10W		
R190			RK73FB2A103J	CHIP R 10K J 1/10W		
R193			RK73FB2A682J	CHIP R 6.8K J 1/10W		
R194			RK73FB2A472J	CHIP R 4.7K J 1/10W		
R195			RK73FB2A822J	CHIP R 8.2K J 1/10W		
R196			RK73FB2A102J	CHIP R 1.0K J 1/10W		
R300-305			RK73FB2A472J	CHIP R 4.7K J 1/10W		
R301			RK73FB2A472J	CHIP R 4.7K J 1/10W		
R901-903			RK73FB2A222J	CHIP R 2.2K J 1/10W		
IC1		*	CS-4228	IC COMM CS-422855125390		
IC2 ,3		*	74VHC574MX	IC-LOGIC F/F 7455170220		
IC4		*	AT27LV010A90JC	IC-EPROM AT27LV55170270		
IC5		*	CS493263-CL	IC-LOWFREQ CS4955125380		
IC6 -8		*	KIA4558F	IC-OPERAMP KIA420920060		
IC11,12		*	KIA4558F	IC-OPERAMP KIA420920060		
IC14		*	CS8415A-CS	IC-LOWFREQ CS8455125410		
IC18,19		*	74HVC244MX	IC-LOGIC 74VHC255125420		
Q2		*	KTA1504S	TR-SLPSWA KTA1520970480		
JAC1		*	W02-2934-08	D-LEM TORX178B 55125430		
JAC5		*	W02-2911-08	D-LEM TOTX178B 55125440		
Y1		*	W02-2937-08	VXO 12M288 HZ 55126130		
MAIN/POWER SUPPLY PCB						
C1L			CC73FCH1H101J	CHIP C 100PF J		
C1R			CC73FCH1H101J	CHIP C 100PF J		
C2L			CC73FCH1H101J	CHIP C 100PF J		
C2R			CC73FCH1H101J	CHIP C 100PF J		
C3L			CC73FCH1H101J	CHIP C 100PF J		
C3R			CC73FCH1H101J	CHIP C 100PF J		
C4L			CC73FCH1H101J	CHIP C 100PF J		
C4R			CC73FCH1H101J	CHIP C 100PF J		
C5L			CK73FB1H102K	CHIP C 1000PF K		
C5R			CK73FB1H102K	CHIP C 1000PF K		
C7L			CE04LW1H4R7M	ELECTRO 4.7UF 50WV		
C7R			CE04LW1H4R7M	ELECTRO 4.7UF 50WV		
C8C			CE04LW1H4R7M	ELECTRO 4.7UF 50WV		
C8FL			CE04LW1H4R7M	ELECTRO 4.7UF 50WV		
C8FR			CE04LW1H4R7M	ELECTRO 4.7UF 50WV		
C8SL			CE04LW1H4R7M	ELECTRO 4.7UF 50WV		
C8SR			CE04LW1H4R7M	ELECTRO 4.7UF 50WV		
C8SW			CE04LW1C470M	ELECTRO 47UF 16WV		
C9C			CE04LW1H4R7M	ELECTRO 4.7UF 50WV		

L : Scandinavia K : USA P : Canada R : Mexico C : China I : Malaysia
Y : PX(Far East,Hawaii) T : England E : Europe G : Germany V : China(Shanghai)
Y : AAFES(Europe) X : Australia Q : Russia H : Korea M : Other Areas Δ indicates safety critical components .

* New Parts
 Parts without **Parts No.** are not supplied.
 Les articles non mentionnés dans le **Parts No.** ne sont pas fournis.
 Teile ohne **Parts No.** werden nicht geliefert.

Ref. No	Add-ress	New Parts	Parts No.	Description	Desti-nation	Re-marks
C9FL			CE04LW1H4R7M	ELECTRO 4.7UF 50WV		
C9FR			CE04LW1H4R7M	ELECTRO 4.7UF 50WV		
C9SL			CE04LW1H4R7M	ELECTRO 4.7UF 50WV		
C9SR			CE04LW1H4R7M	ELECTRO 4.7UF 50WV		
C9SW			CE04LW1H4R7M	ELECTRO 4.7UF 50WV		
C10C			CC73FCH1H330J	CHIP C 33PF J		
C10FL			CC73FCH1H330J	CHIP C 33PF J		
C10FR			CC73FCH1H330J	CHIP C 33PF J		
C10SL			CC73FCH1H330J	CHIP C 33PF J		
C10SR			CC73FCH1H330J	CHIP C 33PF J		
C10SW			CK73FB1H102K	CHIP C 1000PF K		
C11C			CC73FCH1H101J	CHIP C 100PF J		
C11FL			CC73FCH1H101J	CHIP C 100PF J		
C11FR			CC73FCH1H101J	CHIP C 100PF J		
C11SL			CC73FCH1H101J	CHIP C 100PF J		
C11SR			CC73FCH1H101J	CHIP C 100PF J		
C11SW			CC73FCH1H101J	CHIP C 100PF J		
C12C			CE04LW1H100M	ELECTRO 10UF 50WV		
C12FL			CE04LW1H100M	ELECTRO 10UF 50WV		
C12FR			CE04LW1H100M	ELECTRO 10UF 50WV		
C12SL			CE04LW1H100M	ELECTRO 10UF 50WV		
C12SR			CE04LW1H100M	ELECTRO 10UF 50WV		
C12SW			CE04LW1H100M	ELECTRO 10UF 50WV		
C13C			CC73FCH1H101J	CHIP C 100PF J		
C13FL			CC73FCH1H101J	CHIP C 100PF J		
C13FR			CC73FCH1H101J	CHIP C 100PF J		
C13SL			CC73FCH1H101J	CHIP C 100PF J		
C13SR			CC73FCH1H101J	CHIP C 100PF J		
C13SW			CC73FCH1H101J	CHIP C 100PF J		
C14C			CE04LW1H4R7M	ELECTRO 4.7UF 50WV		
C14FL			CE04LW1H4R7M	ELECTRO 4.7UF 50WV		
C14FR			CE04LW1H4R7M	ELECTRO 4.7UF 50WV		
C14SL			CE04LW1H4R7M	ELECTRO 4.7UF 50WV		
C14SR			CE04LW1H4R7M	ELECTRO 4.7UF 50WV		
C14SW			CE04LW1H4R7M	ELECTRO 4.7UF 50WV		
C15C			CK73FB1H102K	CHIP C 1000PF K		
C15FL			CK73FB1H102K	CHIP C 1000PF K		
C15FR			CK73FB1H102K	CHIP C 1000PF K		
C15SL			CK73FB1H102K	CHIP C 1000PF K		
C15SR			CK73FB1H102K	CHIP C 1000PF K		
C15SW			CK73FB1H102K	CHIP C 1000PF K		
C16C			CC73FCH1H470J	CHIP C 47PF J		
C16FL			CC73FCH1H470J	CHIP C 47PF J		
C16FR			CC73FCH1H470J	CHIP C 47PF J		
C16SL			CC73FCH1H470J	CHIP C 47PF J		
C16SR			CC73FCH1H470J	CHIP C 47PF J		
C16SW			CC73FCH1H470J	CHIP C 47PF J		
C18C			CE04LW1C470M	ELECTRO 47UF 16WV		
C18FL			CE04LW1C470M	ELECTRO 47UF 16WV		
C18FR			CE04LW1C470M	ELECTRO 47UF 16WV		
C18SL			CE04LW1C470M	ELECTRO 47UF 16WV		
C18SR			CE04LW1C470M	ELECTRO 47UF 16WV		
C18SW			CE04LW1C470M	ELECTRO 47UF 16WV		
C19C			CK73FB1H473K	CHIP C 0.047UF K		
C19FL			CK73FB1H473K	CHIP C 0.047UF K		

L : Scandinavia K : USA P : Canada R : Mexico C : China I : Malaysia
 Y : PX(Far East,Hawaii) T : England E : Europe G : Germany V : China(Shanghai)
 Y : AAFES(Europe) X : Australia Q : Russia H : Korea M : Other Areas Δ indicates safety critical components.

* New Parts
 Parts without **Parts No.** are not supplied.
 Les articles non mentionnés dans le **Parts No.** ne sont pas fournis.
 Teile ohne **Parts No.** werden nicht geliefert.

Ref. No	Add-ress	New Parts	Parts No.	Description	Desti-nation	Re-marks
C19FR			CK73FB1H473K	CHIP C 0.047UF K		
C19SL			CK73FB1H473K	CHIP C 0.047UF K		
C19SR			CK73FB1H473K	CHIP C 0.047UF K		
C19SW			CK73FB1H473K	CHIP C 0.047UF K		
C20C			CC73FCH1H121J	CHIP C 120PF J		
C20FL			CC73FCH1H121J	CHIP C 120PF J		
C20FR			CC73FCH1H121J	CHIP C 120PF J		
C20SL			CC73FCH1H121J	CHIP C 120PF J		
C20SR			CC73FCH1H121J	CHIP C 120PF J		
C20SW			CC73FCH1H121J	CHIP C 120PF J		
C21C			CQ93FMG1H104J	MYLAR 0.10UF J		
C21FL			CQ93FMG1H104J	MYLAR 0.10UF J		
C21FR			CQ93FMG1H104J	MYLAR 0.10UF J		
C21SL			CQ93FMG1H104J	MYLAR 0.10UF J		
C21SR			CQ93FMG1H104J	MYLAR 0.10UF J		
C21SW			CQ93FMG1H104J	MYLAR 0.10UF J		
C23C			CQ93FMG1H102J	MYLAR 1000PF J		KP
C23C			CQ93FMG1H472J	MYLAR 4700PF J		ETXY
C23C			CQ93FMG1H472J	MYLAR 4700PF J		MM2M3
C23FL			CQ93FMG1H102J	MYLAR 1000PF J		KP
C23FL			CQ93FMG1H472J	MYLAR 4700PF J		ETXY
C23FL			CQ93FMG1H472J	MYLAR 4700PF J		MM2M3
C23FR			CQ93FMG1H102J	MYLAR 1000PF J		KP
C23FR			CQ93FMG1H472J	MYLAR 4700PF J		ETXY
C23FR			CQ93FMG1H472J	MYLAR 4700PF J		MM2M3
C23SL			CQ93FMG1H102J	MYLAR 1000PF J		KP
C23SL			CQ93FMG1H472J	MYLAR 4700PF J		ETXY
C23SL			CQ93FMG1H472J	MYLAR 4700PF J		MM2M3
C23SR			CQ93FMG1H102J	MYLAR 1000PF J		KP
C23SR			CQ93FMG1H472J	MYLAR 4700PF J		ETXY
C23SR			CQ93FMG1H472J	MYLAR 4700PF J		MM2M3
C23SW			CQ93FMG1H102J	MYLAR 1000PF J		KP
C23SW			CQ93FMG1H472J	MYLAR 4700PF J		ETXY
C23SW			CQ93FMG1H472J	MYLAR 4700PF J		MM2M3
C24L			CK73FB1H104Z	CHIP C 0.10UF Z		
C24R			CK73FB1H104Z	CHIP C 0.10UF Z		
C25SW			CC73FCH1H471J	CHIP C 470PF J		MM2M3
C25SW			CC73FCH1H471J	CHIP C 470PF J		XTEY
C26C			CC73FCH1H470J	CHIP C 47PF J		
C26FL			CC73FCH1H470J	CHIP C 47PF J		
C26FR			CC73FCH1H470J	CHIP C 47PF J		
C26SL			CC73FCH1H470J	CHIP C 47PF J		
C26SR			CC73FCH1H470J	CHIP C 47PF J		
C26SW			CC73FCH1H470J	CHIP C 47PF J		
C51L			CE04LW1H4R7M	ELECTRO 4.7UF 50WV		
C51R			CE04LW1H4R7M	ELECTRO 4.7UF 50WV		
C52L			CE04LW1H4R7M	ELECTRO 4.7UF 50WV		
C52R			CE04LW1H4R7M	ELECTRO 4.7UF 50WV		
C54			CQ93FMG1H822J	MYLAR 8200PF J		
C70 ,71			CQ93FMG1H223J	MYLAR 0.022UF J		
C72 ,73			CE04KW1H472M	ELECTRO 4700UF 50WV		
C74 -76			CQ93FMG1H223J	MYLAR 0.022UF J		
C77			CE04LW1E332M	ELECTRO 3300UF 25WV		
C78 ,79			CE04LW1E102M	ELECTRO 1000UF 25WV		
C80			CE04LW1H470M	ELECTRO 47UF 50WV		

L : Scandinavia K : USA P : Canada R : Mexico C : China I : Malaysia
 Y : PX(Far East,Hawaii) T : England E : Europe G : Germany V : China(Shanghai)
 Y : AAFES(Europe) X : Australia Q : Russia H : Korea M : Other Areas Δ indicates safety critical components.

PARTS LIST

DVR-505/7000

* New Parts
 Parts without **Parts No.** are not supplied.
 Les articles non mentionnés dans le **Parts No.** ne sont pas fournis.
 Teile ohne **Parts No.** werden nicht geliefert.

11

Ref. No	Add-ress	New Parts	Parts No.	Description	Desti-nation	Re-marks
R22SW			RK73FB2A302J	CHIP R	3.0K	J 1/10W
R23C			RK73FB2A103J	CHIP R	10K	J 1/10W
R23FL			RK73FB2A103J	CHIP R	10K	J 1/10W
R23FR			RK73FB2A103J	CHIP R	10K	J 1/10W
R23SL			RK73FB2A103J	CHIP R	10K	J 1/10W
R23SR			RK73FB2A103J	CHIP R	10K	J 1/10W
R23SW			RK73FB2A203J	CHIP R	20K	J 1/10W
R24C			RK73FB2A104J	CHIP R	100K	J 1/10W
R24FL			RK73FB2A104J	CHIP R	100K	J 1/10W
R24FR			RK73FB2A104J	CHIP R	100K	J 1/10W
R24SL			RK73FB2A104J	CHIP R	100K	J 1/10W
R24SR			RK73FB2A104J	CHIP R	100K	J 1/10W
R24SW			RK73FB2A104J	CHIP R	100K	J 1/10W
R25C			RK73FB2A102J	CHIP R	1.0K	J 1/10W
R25FL			RK73FB2A102J	CHIP R	1.0K	J 1/10W
R25FR			RK73FB2A102J	CHIP R	1.0K	J 1/10W
R25SL			RK73FB2A102J	CHIP R	1.0K	J 1/10W
R25SR			RK73FB2A102J	CHIP R	1.0K	J 1/10W
R25SW			RK73FB2A102J	CHIP R	1.0K	J 1/10W
R26C			RK73FB2A473J	CHIP R	47K	J 1/10W
R26FL			RK73FB2A473J	CHIP R	47K	J 1/10W
R26FR			RK73FB2A473J	CHIP R	47K	J 1/10W
R26SL			RK73FB2A473J	CHIP R	47K	J 1/10W
R26SR			RK73FB2A473J	CHIP R	47K	J 1/10W
R26SW			RK73FB2A473J	CHIP R	47K	J 1/10W
R27C			RK73FB2A102J	CHIP R	1.0K	J 1/10W
R27FL			RK73FB2A102J	CHIP R	1.0K	J 1/10W
R27FR			RK73FB2A102J	CHIP R	1.0K	J 1/10W
R27SL			RK73FB2A102J	CHIP R	1.0K	J 1/10W
R27SR			RK73FB2A102J	CHIP R	1.0K	J 1/10W
R27SW			RK73FB2A102J	CHIP R	1.0K	J 1/10W
R28C			RD14BB2C102J	RD	1.0K	J 1/6W
R28FL			RD14BB2C102J	RD	1.0K	J 1/6W
R28SL			RD14BB2C102J	RD	1.0K	J 1/6W
R29C			RK73FB2A153J	CHIP R	15K	J 1/10W
R29FL			RK73FB2A153J	CHIP R	15K	J 1/10W
R29FR			RK73FB2A153J	CHIP R	15K	J 1/10W
R29SL			RK73FB2A153J	CHIP R	15K	J 1/10W
R29SR			RK73FB2A153J	CHIP R	15K	J 1/10W
R29SW			RK73FB2A153J	CHIP R	15K	J 1/10W
R30C			RK73FB2A102J	CHIP R	1.0K	J 1/10W
R30FL			RK73FB2A102J	CHIP R	1.0K	J 1/10W
R30FR			RK73FB2A102J	CHIP R	1.0K	J 1/10W
R30SL			RK73FB2A102J	CHIP R	1.0K	J 1/10W
R30SR			RK73FB2A102J	CHIP R	1.0K	J 1/10W
R30SW			RK73FB2A102J	CHIP R	1.0K	J 1/10W
R31C			RK73FB2A224J	CHIP R	220K	J 1/10W
R31FL			RK73FB2A224J	CHIP R	220K	J 1/10W
R31FR			RK73FB2A224J	CHIP R	220K	J 1/10W
R31SL			RK73FB2A224J	CHIP R	220K	J 1/10W
R31SR			RK73FB2A224J	CHIP R	220K	J 1/10W
R31SW			RK73FB2A224J	CHIP R	220K	J 1/10W
R32C			RK73FB2A224J	CHIP R	220K	J 1/10W
R32FL			RK73FB2A224J	CHIP R	220K	J 1/10W
R32FR			RK73FB2A224J	CHIP R	220K	J 1/10W

L : Scandinavia K : USA P : Canada R : Mexico C : China I : Malaysia
 Y : PX(Far East,Hawaii) T : England E : Europe G : Germany V : China(Shanghai)
 Y : AAFES(Europe) X : Australia Q : Russia H : Korea M : Other Areas Δ indicates safety critical components .

* New Parts
 Parts without **Parts No.** are not supplied.
 Les articles non mentionnés dans le **Parts No.** ne sont pas fournis.
 Teile ohne **Parts No.** werden nicht geliefert.

12

Ref. No	Add-ress	New Parts	Parts No.	Description	Desti-nation	Re-marks
R32SL			RK73FB2A224J	CHIP R	220K	J 1/10W
R32SR			RK73FB2A224J	CHIP R	220K	J 1/10W
R32SW			RK73FB2A224J	CHIP R	220K	J 1/10W
R33C			RK73FB2A470J	CHIP R	47	J 1/10W
R33FL			RK73FB2A470J	CHIP R	47	J 1/10W
R33FR			RK73FB2A470J	CHIP R	47	J 1/10W
R33SL			RK73FB2A470J	CHIP R	47	J 1/10W
R33SR			RK73FB2A470J	CHIP R	47	J 1/10W
R33SW			RK73FB2A470J	CHIP R	47	J 1/10W
R34C			RK73FB2A470J	CHIP R	47	J 1/10W
R34FL			RK73FB2A470J	CHIP R	47	J 1/10W
R34FR			RK73FB2A470J	CHIP R	47	J 1/10W
R34SL			RK73FB2A470J	CHIP R	47	J 1/10W
R34SR			RK73FB2A470J	CHIP R	47	J 1/10W
R34SW			RK73FB2A470J	CHIP R	47	J 1/10W
R35C			RK73FB2A333J	CHIP R	33K	J 1/10W
R35FL			RK73FB2A333J	CHIP R	33K	J 1/10W
R35FR			RK73FB2A333J	CHIP R	33K	J 1/10W
R35SL			RK73FB2A333J	CHIP R	33K	J 1/10W
R35SR			RK73FB2A333J	CHIP R	33K	J 1/10W
R35SW			RK73FB2A393J	CHIP R	39K	J 1/10W
R37C			RK73FB2A332J	CHIP R	3.3K	J 1/10W
R37FL			RK73FB2A332J	CHIP R	3.3K	J 1/10W
R37FR			RK73FB2A332J	CHIP R	3.3K	J 1/10W
R37SL			RK73FB2A332J	CHIP R	3.3K	J 1/10W
R37SR			RK73FB2A332J	CHIP R	3.3K	J 1/10W
R37SW			RK73FB2A332J	CHIP R	3.3K	J 1/10W
R38C			RK73FB2A223J	CHIP R	22K	J 1/10W
R38FL			RK73FB2A223J	CHIP R	22K	J 1/10W
R38FR			RK73FB2A223J	CHIP R	22K	J 1/10W
R38SL			RK73FB2A223J	CHIP R	22K	J 1/10W
R38SR			RK73FB2A223J	CHIP R	22K	J 1/10W
R38SW			RK73FB2A223J	CHIP R	22K	J 1/10W
R44L			RK73FB2A102J	CHIP R	1.0K	J 1/10W
R44R			RK73FB2A102J	CHIP R	1.0K	J 1/10W
R45L			RK73FB2A223J	CHIP R	22K	J 1/10W
R45R			RK73FB2A223J	CHIP R	22K	J 1/10W
R46L			RK73FB2A682J	CHIP R	6.8K	J 1/10W
R46R			RK73FB2A682J	CHIP R	6.8K	J 1/10W
R47L			RK73FB2A683J	CHIP R	68K	J 1/10W
R47R			RK73FB2A683J	CHIP R	68K	J 1/10W
R48L			RK73FB2A122J	CHIP R	1.2K	J 1/10W
R48R			RK73FB2A122J	CHIP R	1.2K	J 1/10W
R49L			RK73FB2A332J	CHIP R	3.3K	J 1/10W
R49R			RK73FB2A332J	CHIP R	3.3K	J 1/10W
R57L			RK73FB2A472J	CHIP R	4.7K	J 1/10W
R57R			RK73FB2A472J	CHIP R	4.7K	J 1/10W
R58L			RK73FB2A104J	CHIP R	100K	J 1/10W
R58R			RK73FB2A104J	CHIP R	100K	J 1/10W
R59L			RK73FB2A104J	CHIP R	100K	J 1/10W
R59R			RK73FB2A104J	CHIP R	100K	J 1/10W
R70 ,71			RS14GB3A1R0J	FL-PROOF RS	1	J 1W
R72 ,73			JUMPER WURE	BCL 0.5MM TIN A20441260		MM2M3
R72 ,73			JUMPER WURE	BCL 0.5MM TIN A20441260		XTEY
R72 ,73			RS14GB3A1R0J	FL-PROOF RS	1	J 1W KP

L : Scandinavia K : USA P : Canada R : Mexico C : China I : Malaysia
 Y : PX(Far East,Hawaii) T : England E : Europe G : Germany V : China(Shanghai)
 Y : AAFES(Europe) X : Australia Q : Russia H : Korea M : Other Areas Δ indicates safety critical components .

PARTS LIST

DVR-505/7000

* New Parts
Parts without **Parts No.** are not supplied.
Les articles non mentionnés dans le **Parts No.** ne sont pas fournis.
Teile ohne **Parts No.** werden nicht geliefert.



Ref. No	Address	New Parts	Parts No.	Description	Destination	Remarks
R80			R92-4582-08	METAL R 0.1	555231510	
R81 .82			RK73FB2A752J	CHIP R	7.5K	J 1/10W
R83			RK73FB2A564J	CHIP R	560K	J 1/10W
R84			RK73FB2A332J	CHIP R	3.3K	J 1/10W
R85			RK73FB2A564J	CHIP R	560K	J 1/10W
R86			RK73FB2A223J	CHIP R	22K	J 1/10W
R87			RK73FB2A222J	CHIP R	2.2K	J 1/10W
R88 -91			RK73FB2A222J	CHIP R	2.2K	J 1/10W
R92 .93			RK73FB2A332J	CHIP R	3.3K	J 1/10W
R94			RS14GB3A220J	FL-PROOF RS	22	J 1W
R95 .96			RK73FB2A102J	CHIP R	1.0K	J 1/10W
R97			RK73FB2A104J	CHIP R	100K	J 1/10W
R98			RK73FB2A103J	CHIP R	10K	J 1/10W
R99			RK73FB2A104J	CHIP R	100K	J 1/10W
R102			RS14GB3A272J	FL-PROOF RS	2.7K	J 1W
R103			RS14GB3A447J	FL-PROOF RS	4.7	J 1W
R104			RS14GB3A272J	FL-PROOF RS	2.7K	J 1W
R105			RS14GB3A447J	FL-PROOF RS	4.7	J 1W
R106,107			RK73FB2A222J	CHIP R	2.2K	J 1/10W
R108			RK73FB2A752J	CHIP R	7.5K	J 1/10W
R109			RK73FB2A272J	CHIP R	2.7K	J 1/10W
R110,111			RK73FB2A472J	CHIP R	4.7K	J 1/10W
R112			RK73FB2A102J	CHIP R	1.0K	J 1/10W
R113-115			RK73FB2A103J	CHIP R	10K	J 1/10W
R116-118			RS14GB3A392J	FL-PROOF RS	3.9K	J 1W
R125			RK73FB2A102J	CHIP R	1.0K	J 1/10W
R126			RK73FB2A222J	CHIP R	2.2K	J 1/10W
R127			RK73FB2A472J	CHIP R	4.7K	J 1/10W
R140			RK73FB2A473J	CHIP R	47K	J 1/10W
Δ R203	*	R92-1844-05	RA 3M3 OHM +10%	15041100		KP
RY101-103			S76-0136-08	RELAYPWR	55091520	
Δ RY201			S76-0137-08	RELAYPWR 5.0V	155183470	
Δ SW201			S90-0149-08	SWIPUSH POWER	S55141570	
D1C			EK03	D-SR SCHOTTKY	55190980	
D1FL			EK03	D-SR SCHOTTKY	55190980	
D1FR			EK03	D-SR SCHOTTKY	55190980	
D1SL			EK03	D-SR SCHOTTKY	55190980	
D1SR			EK03	D-SR SCHOTTKY	55190980	
D1SW			EK03	D-SR SCHOTTKY	55190980	
D2C			EK03	D-SR SCHOTTKY	55190980	
D2FL			EK03	D-SR SCHOTTKY	55190980	
D2FR			EK03	D-SR SCHOTTKY	55190980	
D2SL			EK03	D-SR SCHOTTKY	55190980	
D2SR			EK03	D-SR SCHOTTKY	55190980	
D2SW			EK03	D-SR SCHOTTKY	55190980	
Δ D70			BU6-04F	D-BRDLC	55125540	
Δ D71 -80	*	1N4004	D-SR 1N4004	20415060		
D81			BZX55B30	D-ZENER	20475340	
D82	*	1N5236B	D-ZENER	20873880		
D84 -87	*	1N4148	D-SLP	70436540		
D89	*	BZX85C12	D-ZENER	70437720		
D92 .93	*	1N5235B	D-ZENER	20526990		
D94 -96	*	1N4148	D-SLP	70436540		
D100			1N4148	D-SLP	70436540	
D101	*	1N5230B	D-ZENER	20289370		

L : Scandinavia K : USA P : Canada R : Mexico C : China I : Malaysia
 Y : PX(Far East,Hawaii) T : England E : Europe G : Germany V : China(Shanghai)
 Y : AAFES(Europe) X : Australia Q : Russia H : Korea M : Other Areas Δ indicates safety critical components.

* New Parts
Parts without **Parts No.** are not supplied.
Les articles non mentionnés dans le **Parts No.** ne sont pas fournis.
Teile ohne **Parts No.** werden nicht geliefert.



Ref. No	Address	New Parts	Parts No.	Description	Destination	Remarks
D102,103			1N4148	D-SLP	70436540	
D104	*		1N5241B	D-ZENER	20526860	
D201			1N4148	D-SLP 1N4148	70436540	
D670			1N4148	D-SLP	70436540	
IC10			NJM2068DD	IC-OPERAMP	55142240	
Δ IC70	*		KIA7815API	IC-REGPOSFXD	20832440	
Δ IC71	*		KIA7915PI	IC-REGNEGFXD	55124020	
Δ IC72	*		KIA7805API	IC(VOLTAGE REGULATOR)60		
Δ IC73	*		BA033T	IC-REGPOSFXD	55125450	
IC75	*		LC78211	IC-SWITCH	20832580	
IC84	*		SM7346	IC-LOWFREQ	55132990	
IC85-88	*		NJM2068DD	IC-OPERAMP	55142240	
Δ IC89-91	*		LM4766T	IC(AUDIO POWER AMPLIFIER)		
Q01C	*		KTD1302	TR-SLPLF	55133290	
Q1FL	*		KTD1302	TR-SLPLF	55133290	
Q1FR	*		KTD1302	TR-SLPLF	55133290	
Q1SL	*		KTD1302	TR-SLPLF	55133290	
Q1SR	*		KTD1302	TR-SLPLF	55133290	
Q1SW	*		KTD1302	TR-SLPLF	55133290	
Q02C	*		DTC323T	TR-SSD	55039430	
Q2FL	*		DTC323T	TR-SSD	55039430	
Q2FR	*		DTC323T	TR-SSD	55039430	
Q2SL	*		DTC323T	TR-SSD	55039430	
Q2SR	*		DTC323T	TR-SSD	55039430	
Q2SW	*		DTC323T	TR-SSD	55039430	
Q71 ,72	*		KTA1266	TR-SLPLF	20508210	
Q73	*		KTC3200	TR-SLPLF	20556600	
Q74	*		KTA1268	TR-SLPLF	55133230	
Q75	*		KTA1023	TR-SLPLF	55211430	
Q76 ,77	*		2SC1740S	TR-SLPLF	55133250	
Q78	*		DTA114YSA	TR-SLPLF	55133220	
Q79 ,80	*		KTD1302	TR-SLPLF	55133290	
Q82	*		DTA114YSA	TR-SLPLF	55133220	
Q84 ,85	*		KTD1302	TR-SLPLF	55133290	
Q87 -93	*		DTA114YSA	TR-SLPLF	55133220	
Q100	*		KTA1266	TR-SLPLF	20508210	
Q201	*		DTC114YSA	TR-SLPLF DTC114	55133210	
FRONT PCB						
D401	*		B30-2637-08	D-LEM-GRN	55211390	
D433-439	*		B30-2638-08	D-LEM-RED	55192130	
FL431	*		HNW-11SM18	DISPLAY	55161410	
C404	*		CE04LW1E330M	ELECTRO	33UF	25WV
C405	*		CC73GCH1H220J	CHIP C	22PF	J
C407	*		CK73GB1H102K	CHIP C	1000PF	K
C409	*		CK73GB1H102K	CHIP C	1000PF	K
C411,412	*		CC73GCH1H101J	CHIP C	100PF	J
C413	*		CE04LW1C470M	ELECTRO	47UF	16WV
C416	*		CK73GB1H104K	CHIP C	0.10UF	K
C417	*		CK73GB1H103K	CHIP C	0.010UF	K
C419,420	*		CK73GB1H472K	CHIP C	4700PF	K
C431	*		CE04LW1C470M	ELECTRO	47UF	16WV
C432	*		CK73GB1H103K	CHIP C	0.010UF	K
C433-435	*		CC73GCH1H101J	CHIP C	100PF	J

L : Scandinavia K : USA P : Canada R : Mexico C : China I : Malaysia
 Y : PX(Far East,Hawaii) T : England E : Europe G : Germany V : China(Shanghai)
 Y : AAFES(Europe) X : Australia Q : Russia H : Korea M : Other Areas Δ indicates safety critical components.

* New Parts
 Parts without **Parts No.** are not supplied.
 Les articles non mentionnés dans le **Parts No.** ne sont pas fournis.
 Teile ohne **Parts No.** werden nicht geliefert.

15

Ref. No	Add-ress	New Parts	Parts No.	Description	Desti-nation	Re-marks
C436,437 C438 C439			CK73GB1H473K CK73GB1E104Z CE04LW1H010M	CHIP C 0.047UF CHIP C 0.10UF ELECTRO 1.0UF	K Z 50WV	
CP431 CP432 HP401 JA401 JA402		*	E41-0823-08 E35-3017-08 E11-0957-08 E63-1272-08 E56-0045-08	CONN 1.25MM 11 55124780 CONN 1.25MM 33 55129060 CONN-PHJAC 55198170 RCA 3P 55191980 S-VIDEO 1P 55191990		
JK403		*	W02-2934-08	D-LEM TORX178B 55125430		
L401 L416			L40-4701-16 L40-4701-16	LF 47U0H +10% 555168840 LF 47U0H +10% 555168840		
C418 J421 J423-425 J441 J447-450			CK73FB1H103K RK73FB2A000J RK73FB2A000J RK73FB2A000J RK73FB2A000J	CC 10N0F +10% -70428520 CHIP R 0 CHIP R 0 CHIP R 0 CHIP R 0	J J J J	1/10W 1/10W 1/10W 1/10W
R402 R403,404 R405,406 R407 R408			RK73FB2A820J RK73FB2A222J RK73FB2A820J RK73FB2A332J RK73FB2A272J	CHIP R 82 CHIP R 2.2K CHIP R 82 CHIP R 3.3K CHIP R 2.7K	J J J J J	1/10W 1/10W 1/10W 1/10W 1/10W
R409,410 R416 R417 R420,421 R422,423			RK73FB2A224J RK73FB2A102J RK73FB2A102J RK73FB2A153J RK73FB2A1R0J	CHIP R 220K CHIP R 1.0K CHIP R 1.0K CHIP R 15K CHIP R 1	J J J J J	1/10W 1/10W 1/10W 1/10W 1/10W
R431 R432 R433 R434,435 R436			RK73FB2A103J RK73FB2A472J RK73FB2A102J RK73FB2A103J RK73FB2A102J	CHIP R 10K CHIP R 4.7K CHIP R 1.0K CHIP R 10K CHIP R 1.0K	J J J J J	1/10W 1/10W 1/10W 1/10W 1/10W
R437 R438-440 R441-445 R446,447 R448			RK73FB2A102J RK73FB2A102J RK73FB2A152J RK73FB2A182J RK73FB2A102J	CHIP R 1.0K CHIP R 1.0K CHIP R 1.5K CHIP R 1.8K CHIP R 1.0K	J J J J J	1/10W 1/10W 1/10W 1/10W 1/10W
R449 R450 R451 R452 R453			RK73FB2A122J RK73FB2A152J RK73FB2A222J RK73FB2A182J RK73FB2A104J	CHIP R 1.2K CHIP R 1.5K CHIP R 2.2K CHIP R 1.8K CHIP R 100K	J J J J J	1/10W 1/10W 1/10W 1/10W 1/10W
SW401-403 SW431-434 SW435		*	S70-0087-08 S70-0087-08 T99-0668-08	SWITACT VERTICA 55145270 SWITACT VERTICA 55145270 PR-ROT 10K0 OHM 55191680		
D402-408 D430 D431,432 IC431 Q431-435			ZNR5V1B0.2W 1SS355 1N4148 BU4094BF DTC114YKA	D-ZENER UDZ 5.1 55177710 D-SLP 1SS355 20496510 D-SLP 1N4148 70436540 IC(8bit SHIFT/STORE REGISTER) TR-SSD DTC114YK 55133180		
Q436 Q451			KRA107S DTC114YKA	TR-SSD DTC114YK 55133190 TR-SSD DTC114YK 55133180		
RM431		*	W02-2935-08	IC-REMOTE NJL64 55193920		

L : Scandinavia K : USA P : Canada R : Mexico C : China I : Malaysia
 Y : PX(Far East,Hawaii) T : England E : Europe G : Germany V : China(Shanghai)
 Y : AAFES(Europe) X : Australia Q : Russia H : Korea M : Other Areas Δ indicates safety critical components .

* New Parts
 Parts without **Parts No.** are not supplied.
 Les articles non mentionnés dans le **Parts No.** ne sont pas fournis.
 Teile ohne **Parts No.** werden nicht geliefert.

16

Ref. No	Add-ress	New Parts	Parts No.	Description	Desti-nation	Re-marks
MICOM PCB						
C501 C502 C503 C504 C505			CK73FB1H104K CK73FB1H223K CK73FB1H104K CK73FB1H102K CE04LW1H010M	CHIP C 0.10UF CHIP C 0.022UF CHIP C 0.10UF CHIP C 1000PF ELECTRO 1.0UF	K K K K 50WV	
C506 C507 C508,509 C551,552 C553,554			CE04LW1A101M CE04LW1H2R2M CK73FB1H102K CC73FCH1H221J CE04LW1C100M	ELECTRO 100UF ELECTRO 2.2UF CHIP C 1000PF CHIP C 220PF ELECTRO 10UF	10WV 50WV K J 16WV	
C555,556 C557,558 C559,560 C561,562 C563,564			CK73FB1H104K CE04LW1A471M CE04LW1C100M CC73FCH1H101J CE04LW1A471M	CHIP C 0.10UF ELECTRO 470UF ELECTRO 10UF CHIP C 100PF ELECTRO 470UF	K 10WV 16WV J 10WV	
C565 C566,567 C568 C569 C570			CK73FB1H223K CC73FCH1H101J CK73FB1H104K CE04LW1C100M CK73FB1H104K	CHIP C 0.022UF CHIP C 100PF CHIP C 0.10UF ELECTRO 10UF CHIP C 0.10UF	K J K 16WV K	
C571 C572,573 C574 C575 C576			CE04LW1C100M CC73FCH1H101J CK73FB1H104K CE04LW1A471M CK73FB1H104K	ELECTRO 10UF 100PF CHIP C 0.10UF ELECTRO 470UF CHIP C 0.10UF	16WV J K 10WV K	
C577 C578,579 C580,581 C582,583 C584			CK73FB1H104K CE04LW1A471M CE04LW1C100M CC73FCH1H101J CK73FB1H104K	CHIP C 0.10UF ELECTRO 470UF ELECTRO 10UF CHIP C 100PF CHIP C 0.10UF	K 10WV 16WV J K	
C585 C586 C587 C588,589 C590			CE04LW1C100M CK73FB1H104K CE04LW1C100M CC73FCH1H101J CK73FB1H104K	ELECTRO 10UF CHIP C 0.10UF ELECTRO 10UF CHIP C 100PF CHIP C 0.10UF	16WV K 16WV J K	
C591 C592,593 C594,595 C596,597 C598,599			CE04LW1A471M CK73FB1H104K CE04LW1A471M CK73FB1H104K CK73FB1H102K	ELECTRO 470UF CHIP C 0.10UF ELECTRO 470UF CHIP C 0.10UF CHIP C 1000PF	10WV K 10WV K K	
CP501 CP505 CP531 CP532 JA552-555		*	E41-0798-08 E41-0799-08 E41-0823-08 E35-3017-08 E63-1243-08	CONN 1.25MM 17 55124810 CONN 1.25MM 19 55129010 CONN 1.25MM 11 55124780 CONN 1.25MM 33 55129060 CON DIN SCKT MI 55149520		
L501 X501			L40-4701-16 L77-2355-08	LF 47U0H +10% 555168840 CRESONATOR 10M055126140		
J478 J501 J502 J502 R501,502			RK73FB2A000J RK73FB2A000J RK73FB2A000J RK73FB2A000J RK73FB2A103J	CHIP R 0 CHIP R 0 CHIP R 0 CHIP R 0 CHIP R 10K	J J J J J	1/10W 1/10W 1/10W 1/10W 1/10W
						TE MM2Y KPXY MM2M3

L : Scandinavia K : USA P : Canada R : Mexico C : China I : Malaysia
 Y : PX(Far East,Hawaii) T : England E : Europe G : Germany V : China(Shanghai)
 Y : AAFES(Europe) X : Australia Q : Russia H : Korea M : Other Areas Δ indicates safety critical components .

PARTS LIST

DVR-505/7000

* New Parts
 Parts without **Parts No.** are not supplied.
 Les articles non mentionnées dans le **Parts No.** ne sont pas fournis.
 Teile ohne **Parts No.** werden nicht geliefert.



Ref. No	Add-ress	New Parts	Parts No.	Description	Desti-nation	Re-marks
R504,505			RK73FB2A102J	CHIP R 1.0K J 1/10W		
R512,513			RK73FB2A102J	CHIP R 1.0K J 1/10W		
R514-517			RK73FB2A103J	CHIP R 10K J 1/10W		
R518,519			RK73FB2A472J	CHIP R 4.7K J 1/10W		
R520			RK73FB2A473J	CHIP R 47K J 1/10W		
R521			RK73FB2A472J	CHIP R 4.7K J 1/10W		
R522			RK73FB2A104J	CHIP R 100K J 1/10W		
R523			RK73FB2A103J	CHIP R 10K J 1/10W	M3	
R524			RK73FB2A243J	CHIP R 24K J 1/10W		
R526-528			RK73FB2A103J	CHIP R 10K J 1/10W		
R529			RK73FB2A104J	CHIP R 100K J 1/10W		
R530			RK73FB2A103J	CHIP R 10K J 1/10W		
R531			RK73FB2A103J	CHIP R 10K J 1/10W	TE	
R532			RK73FB2A122J	CHIP R 1.2K J 1/10W		
R533			RK73FB2A100J	CHIP R 10 J 1/10W		
R534,535			RK73FB2A470J	CHIP R 47 J 1/10W		
R536			RK73FB2A104J	CHIP R 100K J 1/10W		
R537,538			RK73FB2A103J	CHIP R 10K J 1/10W		
R538			RK73FB2A103J	CHIP R 10K J 1/10W		
R539			RK73FB2A332J	CHIP R 3.3K J 1/10W		
R540			RK73FB2A272J	CHIP R 2.7K J 1/10W		
R541			RK73FB2A392J	CHIP R 3.9K J 1/10W	XTE	
R542			RK73FB2A122J	CHIP R 1.2K J 1/10W	TEM2	
R542			RK73FB2A392J	CHIP R 3.9K J 1/10W	M	
R542			RK73FB2A472J	CHIP R 4.7K J 1/10W	XM3	
R543			RK73FB2A103J	CHIP R 10K J 1/10W		
R549			RK73FB2A103J	CHIP R 10K J 1/10W		
R550			RK73FB2A563J	CHIP R 56K J 1/10W		
R551,552			RK73FB2A820J	CHIP R 82 J 1/10W		
R558-560			RK73FB2A103J	CHIP R 10K J 1/10W		
R561,562			RK73FB2A750J	CHIP R 75 J 1/10W		
R563,564			RK73FB2A820J	CHIP R 82 J 1/10W		
R565-567			RK73FB2A103J	CHIP R 10K J 1/10W		
R572			RK73FB2A103J	CHIP R 10K J 1/10W		
R576,577			RK73FB2A820J	CHIP R 82 J 1/10W		
R578-580			RK73FB2A103J	CHIP R 10K J 1/10W		
R585			RK73FB2A103J	CHIP R 10K J 1/10W		
R586,587			RK73FB2A222J	CHIP R 2.2K J 1/10W		
R588,589			RK73FB2A224J	CHIP R 220K J 1/10W		
D501			1N4148	D-SLP 1N4148 70436540		
D502-505			1SS355	D-SLP 1SS355 3520496510		
D506,507			1N4148	D-SLP 1N4148 70436540		
D551,552			1N4148	D-SLP 1N4148 70436540		
IC501		*	CXP82860-347Q	IC-MICROCONT CX5516140A		
IC502			M24C02WMN6	IC-EEPROM M24C020940740		
IC551-553		*	NJM2296	IC-SWITCH NJM2255125370		
Q501			KTC3875S	TR-SLPSWA KTC3820970460		
DVD PCB						
C201			CK73GB1C104Z	CHIP C 0.10UF Z		
C202			CK73GB1C104Z	CHIP C 0.10UF Z		
C203			CK73GB1H103K	CHIP C 0.010UF K		
C204			CE04LW1C101M	ELECTRO 100UF 16WV		
C205			CK73GB1H103K	CHIP C 0.010UF K		
C206			CE04LW1C101M	ELECTRO 100UF 16WV		

L : Scandinavia K : USA P : Canada R : Mexico C : China I : Malaysia
 Y : PX(Far East,Hawaii) T : England E : Europe G : Germany V : China(Shanghai)
 Y : AAFES(Europe) X : Australia Q : Russia H : Korea M : Other Areas Δ indicates safety critical components .

* New Parts
 Parts without **Parts No.** are not supplied.
 Les articles non mentionnées dans le **Parts No.** ne sont pas fournis.
 Teile ohne **Parts No.** werden nicht geliefert.



Ref. No	Add-ress	New Parts	Parts No.	Description	Desti-nation	Re-marks
C207			CK73GB1C104Z	CHIP C 0.10UF Z		
C208			CK73GB1C104Z	CHIP C 0.10UF Z		
C209			CK73GB1H103K	CHIP C 0.010UF K		
C210			CE04LW1C101M	ELECTRO 100UF 16WV		
C211			CC73GCH1H100J	CHIP C 10PF J		
C212			CC73GCH1H100J	CHIP C 10PF J		
C213			CC73GCH1H100J	CHIP C 10PF J		
C214			CC73GCH1H100J	CHIP C 10PF J		
C215			CK73GB1C104Z	CHIP C 0.10UF Z		
C216			CC73GCH1H471J	CHIP C 470PF J		
C217			CK73GB1C104Z	CHIP C 0.10UF Z		
C218			CK73GB1C104Z	CHIP C 0.10UF Z		
C219			CK73GB1C104Z	CHIP C 0.10UF Z		
C220			CK73GB1H103K	CHIP C 0.010UF K		
C221			CE04LW1C101M	ELECTRO 100UF 16WV		
C222			CK73GB1C104Z	CHIP C 0.10UF Z		
C223			CK73GB1C104Z	CHIP C 0.10UF Z		
C224			CK73GB1C104Z	CHIP C 0.10UF Z		
C225			CK73GB1C104Z	CHIP C 0.10UF Z		
C226			CC73GCH1H681J	CHIP C 680PF J		
C227			CC73GCH1H681J	CHIP C 680PF J		
C228			CE04LW1C470M	ELECTRO 47UF 16WV		
C229			CE04LW1C470M	ELECTRO 47UF 16WV		
C230			CE04LW1C101M	ELECTRO 100UF 16WV		
C231			CE04LW1H010M	ELECTRO 1.0UF 50WV		
C232			CE04LW1C101M	ELECTRO 100UF 16WV		
C233			CE04LW0J471M	ELECTRO 470UF 6.3WV		
C233			CE04LW0J471M	ELECTRO 470UF 6.3WV		
C234			CK73GB1C104Z	CHIP C 0.10UF Z		
C301			CK73GB1C104Z	CHIP C 0.10UF Z		
C301L			CE04LW1C470M	ELECTRO 47UF 16WV		
C301R			CE04LW1C470M	ELECTRO 47UF 16WV		
C302			CK73GB1C104Z	CHIP C 0.10UF Z		
C302L			CK73GB1H222K	CHIP C 2200PF K		
C302R			CK73GB1H222K	CHIP C 2200PF K		
C303			CK73GB1C104Z	CHIP C 0.10UF Z		
C303L			CC73GCH1H331J	CHIP C 330PF J		
C303R			CC73GCH1H331J	CHIP C 330PF J		
C304			CK73GB1C104Z	CHIP C 0.10UF Z		
C304L			CK73GB1C104Z	CHIP C 0.10UF Z		
C304R			CK73GB1C104Z	CHIP C 0.10UF Z		
C305			CK73GB1C104Z	CHIP C 0.10UF Z		
C305L			CE04LW1C470M	ELECTRO 47UF 16WV		
C305R			CE04LW1C470M	ELECTRO 47UF 16WV		
C306			CK73GB1C104Z	CHIP C 0.10UF Z		
C306L			CE04LW1C470M	ELECTRO 47UF 16WV		
C306R			CE04LW1C470M	ELECTRO 47UF 16WV		
C307			CK73GB1C104Z	CHIP C 0.10UF Z		
C307L			CC73GCH1H101J	CHIP C 100PF J		
C307R			CC73GCH1H101J	CHIP C 100PF J		
C308			CK73GB1C104Z	CHIP C 0.10UF Z		
C309			CK73GB1C104Z	CHIP C 0.10UF Z		
C310			CK73GB1C104Z	CHIP C 0.10UF Z		
C311			CE04LW1C101M	ELECTRO 100UF 16WV		
C312			CK73GB1C104Z	CHIP C 0.10UF Z		

L : Scandinavia K : USA P : Canada R : Mexico C : China I : Malaysia
 Y : PX(Far East,Hawaii) T : England E : Europe G : Germany V : China(Shanghai)
 Y : AAFES(Europe) X : Australia Q : Russia H : Korea M : Other Areas Δ indicates safety critical components .

* New Parts

Parts without **Parts No.** are not supplied.
Les articles non mentionnés dans le **Parts No.** ne sont pas fournis.
Teile ohne **Parts No.** werden nicht geliefert.

19

Table with columns: Ref. No, Add-ress, New Parts, Parts No., Description, Desti-nation, Re-marks. Rows include components like C322, C323, C324, etc., with various part numbers and descriptions.

L : Scandinavia K : USA P : Canada R : Mexico C : China I : Malaysia
Y : PX(Far East,Hawaii) T : England E : Europe G : Germany V : China(Shanghai)
Y : AAFES(Europe) X : Australia Q : Russia H : Korea M : Other Areas Δ indicates safety critical components .

* New Parts

Parts without **Parts No.** are not supplied.
Les articles non mentionnés dans le **Parts No.** ne sont pas fournis.
Teile ohne **Parts No.** werden nicht geliefert.

20

Table with columns: Ref. No, Add-ress, New Parts, Parts No., Description, Desti-nation, Re-marks. Rows include components like R203, R204, R205, etc., with various part numbers and descriptions.

L : Scandinavia K : USA P : Canada R : Mexico C : China I : Malaysia
Y : PX(Far East,Hawaii) T : England E : Europe G : Germany V : China(Shanghai)
Y : AAFES(Europe) X : Australia Q : Russia H : Korea M : Other Areas Δ indicates safety critical components .

PARTS LIST

DVR-505/7000

* New Parts
Parts without **Parts No.** are not supplied.
Les articles non mentionnés dans le **Parts No.** ne sont pas fournis.
Teile ohne **Parts No.** werden nicht geliefert.

21

Ref. No	Add-ress	New Parts	Parts No.	Description	Desti-nation	Re-marks
R302			RK73GB1J470J	CHIP R 47 J 1/16W		
R302L			RK73GB1J562J	CHIP R 5.6K J 1/16W		
R302R			RK73GB1J562J	CHIP R 5.6K J 1/16W		
R303			RK73GB1J470J	CHIP R 47 J 1/16W		
R303L			RK73GB1J392J	CHIP R 3.9K J 1/16W		
R303R			RK73GB1J392J	CHIP R 3.9K J 1/16W		
R304			RK73GB1J470J	CHIP R 47 J 1/16W		
R304L			RK73GB1J912J	CHIP R 9.1K J 1/16W		
R304R			RK73GB1J912J	CHIP R 9.1K J 1/16W		
R305			RK73GB1J470J	CHIP R 47 J 1/16W		
R306			RK73GB1J470J	CHIP R 47 J 1/16W		
R307			RK73GB1J470J	CHIP R 47 J 1/16W		
R308			RK73GB1J470J	CHIP R 47 J 1/16W		
R308L			RK73GB1J104J	CHIP R 100K J 1/16W		
R308R			RK73GB1J104J	CHIP R 100K J 1/16W		
R309			RK73GB1J470J	CHIP R 47 J 1/16W		
R309L			RK73GB1J102J	CHIP R 1.0K J 1/16W		
R309R			RK73GB1J102J	CHIP R 1.0K J 1/16W		
R310			RK73GB1J472J	CHIP R 4.7K J 1/16W		
R311			RK73GB1J472J	CHIP R 4.7K J 1/16W		
R312			RK73GB1J472J	CHIP R 4.7K J 1/16W		
R313			RK73GB1J472J	CHIP R 4.7K J 1/16W		
R315			RK73GB1J473J	CHIP R 47K J 1/16W		
R322			RK73GB1J000J	CHIP R 0 J 1/16W		
R323			RK73GB1J471J	CHIP R 470 J 1/16W		
R325			RK73GB1J824J	CHIP R 820K J 1/16W		
R401			RK73GB1J470J	CHIP R 47 J 1/16W		
R402			RK73GB1J470J	CHIP R 47 J 1/16W		
R403			RK73GB1J470J	CHIP R 47 J 1/16W		
R404			RK73GB1J470J	CHIP R 47 J 1/16W		
R405			RK73GB1J103J	CHIP R 10K J 1/16W		
R406			RK73GB1J103J	CHIP R 10K J 1/16W		
R407			RK73GB1J470J	CHIP R 47 J 1/16W		
R408			RK73GB1J470J	CHIP R 47 J 1/16W		
R409			RK73GB1J470J	CHIP R 47 J 1/16W		
R413			RK73GB1J473J	CHIP R 47K J 1/16W		
R501			RK73GB1J101J	CHIP R 100 J 1/16W		
R502			RK73GB1J560J	CHIP R 56 J 1/16W		
R503			RK73GB1J105J	CHIP R 1.0M J 1/16W		
R600-602			RK73GB1J000J	CHIP R 0 J 1/16W	KPXY	
R600-602			RK73GB1J000J	CHIP R 0 J 1/16W	MM2M3	
R606-608			RK73GB1J750J	CHIP R 75 J 1/16W	KPXY	
R606-608			RK73GB1J750J	CHIP R 75 J 1/16W	MM2M3	
R609			RK73GB1J473J	CHIP R 47K J 1/16W		
R610			RK73GB1J472J	CHIP R 4.7K J 1/16W		
R611			RK73FB2A271J	CHIP R 270 J 1/10W		
RA301-307			R90-1333-08	RCA 47R0 OHM 555129820		
RA401-408			R90-1333-08	RCA 47R0 OHM 555129820		
RM201			RK73GB1J471J	CHIP R 470 J 1/16W		
RM202			RK73GB1J471J	CHIP R 470 J 1/16W		
RM203			RK73GB1J562J	CHIP R 5.6K J 1/16W		
RM204			RK73GB1J103J	CHIP R 10K J 1/16W		
RM205			RK73GB1J683J	CHIP R 68K J 1/16W		
RM206			RK73GB1J103J	CHIP R 10K J 1/16W		
RM207			RK73GB1J103J	CHIP R 10K J 1/16W		

L : Scandinavia K : USA P : Canada R : Mexico C : China I : Malaysia
Y : PX(Far East,Hawaii) T : England E : Europe G : Germany V : China(Shanghai)
Y : AAFES(Europe) X : Australia Q : Russia H : Korea M : Other Areas Δ indicates safety critical components .

* New Parts
Parts without **Parts No.** are not supplied.
Les articles non mentionnés dans le **Parts No.** ne sont pas fournis.
Teile ohne **Parts No.** werden nicht geliefert.

22

Ref. No	Add-ress	New Parts	Parts No.	Description	Desti-nation	Re-marks
RM208			RK73GB1J103J	CHIP R 10K J 1/16W		
RM209			RK73GB1J220J	CHIP R 22 J 1/16W		
RM210			RK73GB1J220J	CHIP R 22 J 1/16W		
RM211			RK73GB1J562J	CHIP R 5.6K J 1/16W		
RM212			RK73GB1J182J	CHIP R 1.8K J 1/16W		
RM213			RK73GB1J473J	CHIP R 47K J 1/16W		
D301			UDZ2.2B	D-ZENER UDZ 2.255171070		
D302			1SS355	D-SLP 1SS355 20496510		
DM201			UZ5V6	D-ZENER 20414280		
DM202		*	RB501V-40	D-SLP 55165360		
DM203			1N4148	D-SLP 70436540		
DM204			1N4148	D-SLP 70436540		
ICM21			KA8082	IC-MOTORCIR 55116380		
IC201			STI5519	IC-VIDEOPROC 55130350		
IC202			M24C02WMN6	IC-EEPROM 20940740		
IC301			HY57V651620	IC-DRAM 55156290		
IC302			PCM1748KE	IC-CONV 55156030		
IC303			BA4560F	IC-OPERAMP 55128990		
IC401		*	M29F400T	IC-MEMFLASH 55136720		
IC401		*	SST39VF800A904	IC-MEMFLASH 55177660		
IC501			M74HC04MIR	IC 55133310		
IC601			MM1540AFBE	IC(75 É) X2 DRIVER FOR DVD)		
Q201			KTC3875S	TR-SLPSWA 20970460		
Q202			KTC3875S	TR-SLPSWA 20970460		
Q301			DTC114YKA	TR-SSD DTC114Y 55133180		
Q301L			DTC323T	TR-SSD 55039430		
Q301R			DTC323T	TR-SSD DTC323TK 55039430		
Q302L			KRA107S	TR-SSD KRA107S 55051260		
Q600			KTC3875S	TR-SLPSWA 20970460		
QM201			KTC3875S	TR-SLPSWA 20970460		
QM202			KTA1504S	TR-SLPSWA 20970480		

L : Scandinavia K : USA P : Canada R : Mexico C : China I : Malaysia
Y : PX(Far East,Hawaii) T : England E : Europe G : Germany V : China(Shanghai)
Y : AAFES(Europe) X : Australia Q : Russia H : Korea M : Other Areas Δ indicates safety critical components .

DVR-505/7000

SPECIFICATIONS

Main unit

[Amplifier section]

Effective output power during STEREO operation	
1 kHz, 10 % T.H.D. at 6 Ω	40 W + 40 W
Effective output power during SURROUND operation	
Front (1 kHz, 10 % T.H.D. at 6 Ω)	40 W + 40 W
Center (1 kHz, 10 % T.H.D. at 6 Ω)	40 W
Subwoofer (1 kHz, 10 % T.H.D. at 6 Ω)	40 W
Surround (1 kHz, 10 % T.H.D. at 6 Ω)	40 W + 40 W
Input sensitivity / impedance	
VCR / SAT / AV AUX	600 mV / 68 kΩ
Output level / impedance	
VCR	600 mV / 470 Ω

[Tuner section]

FM tuner section	
Tuning frequency range	87.5 MHz ~ 108 MHz
AM Tuner section	
Tuning frequency range (for U.K., Europe and Australia)	
	531 kHz ~ 1,602 kHz
Tuning frequency range (for U.S.A. and Canada)	
	530 kHz ~ 1,700 kHz
Tuning frequency range (for other countries)	
	531 kHz ~ 1,602 kHz / 530 kHz ~ 1,700 kHz

[DVD/CD/VIDEO CD player section]

Laser	Semiconductor laser
Wow & Flutter	Less than unmeasurable Limit
Video output format (for U.S.A. and Canada)	NTSC
Video output format (for other countries)	NTSC/PAL
VIDEO OUTPUT	
Composite video output level/impedance	1 Vp-p (75 Ω)
S-video output	
Y output level/impedance	1 Vp-p (75 Ω)
C output level/impedance	
NTSC	0.286 Vp-p (75 Ω)
PAL	0.3 Vp-p (75 Ω)
Component video output (only for some areas)	
Y output level/impedance	1 Vp-p (75 Ω)
C/b output level/impedance	0.7 Vp-p (75 Ω)
C/r output level/impedance	0.7 Vp-p (75 Ω)
Compression format	MPEG1/MPEG2

[DIGITAL AUDIO section]

Sampling frequency	32 kHz, 44.1 kHz, 48 kHz
Input level/impedance/wave length	
Optical	-15 dBm ~ 21 dBm (660 nm ±30 nm)
Coaxial	0.6 Vp-p (75 Ω)
Digital output	-15 dBm ~ 21 dBm (Wave length 660 nm)

[General]

Power consumption	120 W (for U.S.A. and Canada) 140 W (for U.K.) 140 W (for other countries)
Dimensions	W: 440 mm (17-5/16") H: 93 mm (3-11/16") D: 410 mm (16-1/8")
Weight (net)	8.5 kg



1. KENWOOD follows a policy of continuous advancements in development. For this reason specifications may be changed without notice.
2. Sufficient performance may not be possible at very low temperatures (0°C or less).

Note:

Component and circuit are subject to modification to insure best operation under differing local conditions. This manual is based on Europe (E) standard, and provides information on regional circuit modification through use of alternate schematic diagrams, and information on regional component variations through use of parts list.

KENWOOD CORPORATION

14-6,Dogenzaka 1-chome, Shibuya-ku, Tokyo, 150-8501 Japan

KENWOOD SERVICE CORPORATION

P.O BOX 22745, 2201 East Dominguez St., Long Beach, CA 90801-5745, U.S.A.

KENWOOD ELECTRONICS CANADA INC.

6070 Kestrel Road, Mississauga, Ontario, Canada L5T 1S8

KENWOOD ELECTRONICS LATIN AMERICA S.A.

P.O BOX 55-2791, Piso 6 plaza Chase, Cl. 47 y Aquilino de la Guardia Panama, Republic de Panama

KENWOOD ELECTRONICS BRASIL LTDA.

Alameda Ministro Rocha Azevedo No. 456, Edificio Jaú, 10o Andar, Cerqueira César, Cep 0140-001, São Paulo-SP-Brasil

KENWOOD ELECTRONICS U.K. LIMITED

KENWOOD House, Dwight Road, Watford, Herts., WD1 8EB., United Kingdom

KENWOOD ELECTRONICS BELGIUM N.V.

Leuvensesteenweg 248 J, 1800 Vilvoorde, Belgium

KENWOOD ELECTRONICS DEUTSCHLAND GMBH

Rembrücker Str. 15, 63150 Heusenstamm, Germany

KENWOOD ELECTRONICS FRANCE S.A.

13 Boulevard Ney, 75018 Paris, France

KENWOOD ELECTRONICS ITALIA S.p.A.

Via G. Sirtori, 7/9 20129, Milano, Italy

KENWOOD IBÉRICA S.A.

Bolivia, 239-08020 Barcelona, Spain

KENWOOD ELECTRONICS AUSTRALIA PTY. LTD.

(A.C.N. 001 499 074)
16 Giffnock Avenue, North Ryde, N.S.W. 2113, Australia

KENWOOD ELECTRONICS (HONG KONG) LTD.

Unit 3712-3724, Level 37, Tower 1, Metroplaza, 223 Hing Fong Road, Kwai Fong N.T., Hong Kong

KENWOOD ELECTRONICS GULF FZE

P.O.Box 61318, Jebel Ali, Dubai, U.A.E.

KENWOOD ELECTRONICS SINGAPORE PTE LTD.

No. 1 Genting Lane #02-02, KENWOOD Building, Singapore, 349544

KENWOOD ELECTRONICS (MALAYSIA) SDN BHD.

#4.01 Level 4, Wisma Academy Lot 4A, Jalan 19/1 46300 Petaling Jaya Selangor Darul Ehsan Malaysia

KENWOOD ELECTRONICS (THAILAND) CO., LTD.

2019 New Pechburi Road, Bangkapi, Huaykwang, Bangkok, 10320 Thailand